

Flamaster

www.flamasterusa.com

Project name : _____

Location : _____

Item# : _____ QTY : _____

Model# : _____

Gas Charbroiler

Model: FLM-CB12-M



- Alpha brass control components.
- Stainless steel front, ledge, sides.
- Double wall insulated sides.
- Heavy-duty cast iron top grates options remove easily and safety.
- 35,000BTU (10.3KW)/Burner.
- "U" shape burners provide even heat distribution every 12".
- 10 ga. stainless steel radiants.
- Adjustable pilot light lit from front of unit.
- Flue located on back of unit for ample ventilation.
- Adjustable stainless steel legs, non-skid feet.
- Easy to remove full width crumb tray.
- Unit ships natural gas with liquid propane gas (LP) conversion kit and regulator.
- Flame failure protection options.
- One year parts and labor warranty.*

Toll Free: +1(800)373-8699
flamaster@chefmindgroup.com
Address: 1189S Jellick Ave,
City of Industry, CA 91748

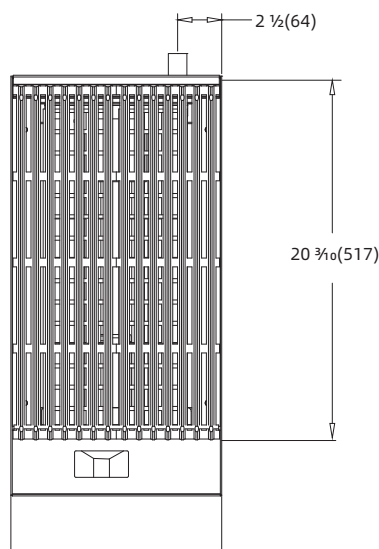
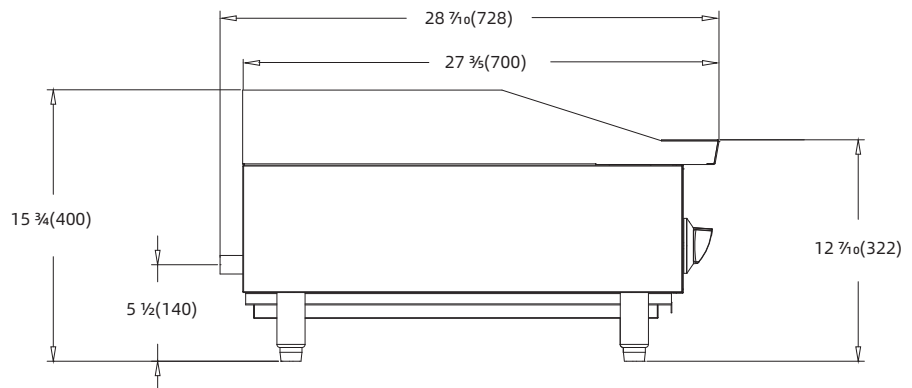
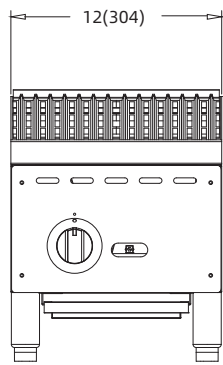


Gas Charbroiler

Model: FLM-CB12-M

•CSA Design Certified, NSF Listed

MODEL	GAS TYPE	BURNERS	TOTA BTU	OVERALL DIMENSIONS	NET WEIGHT	PACKAGE SIZE	SHIPPING WEIGHT
FLM-CB12-M	Natural Gas / Liquid Propane	1	35,000	12 x 28 ⁷ / ₁₆ x 15 ³ / ₄	69 lbs.(31 kg)	15 ³ / ₄ x 33 ¹ / ₂ x 19 ¹ / ₄	102 lbs.(46 kg)



1 YEAR PARTS WARRANTY (NOT FOR RESIDENTIAL USE)



CHEFMIND GROUP INC.

SPECIFICATIONS SUBJECT TO CHANGE WITHOUT NOTICE