

# Flamaster

www.flamasterusa.com

Project name: \_\_\_\_\_

Location: \_\_\_\_\_

Item#: \_\_\_\_\_ QTY: \_\_\_\_\_

Model#: \_\_\_\_\_

## Gas Convection Oven

### Model: FLM-COG



- 3 in shot burners, total 54,000BTU (15.8kW).
- Temperature range:150°F-500°F (66°C -260°C).
- Exterior Stainless steel front sides and top.
- Independent doors with full view windows.
- Porcelain enamel oven interior.
- 10 positions interior rack guides, 5 racks.
- Two-speed,1/2 hp fan motor (1725/1140rpm).
- 2 halogen interior lights.
- Electronic thermostat & manual timer control 60 mins.
- Control panel opens downward for easy service.
- Forced "cool down" fan mode.
- One year parts and labor warranty.\*

**Toll Free: +1(800)373-8699**  
**flamaster@chefmindgroup.com**  
Address: 1189S Jellick Ave,  
City of Industry, CA 91748

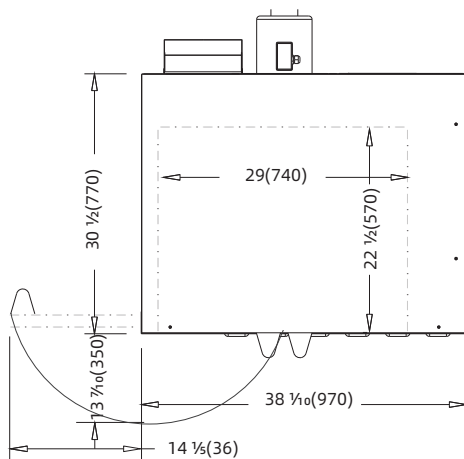
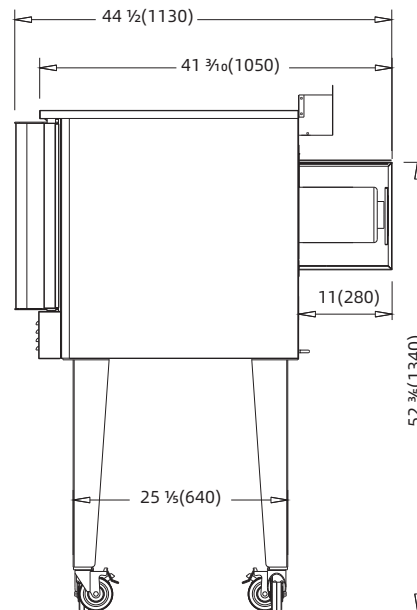
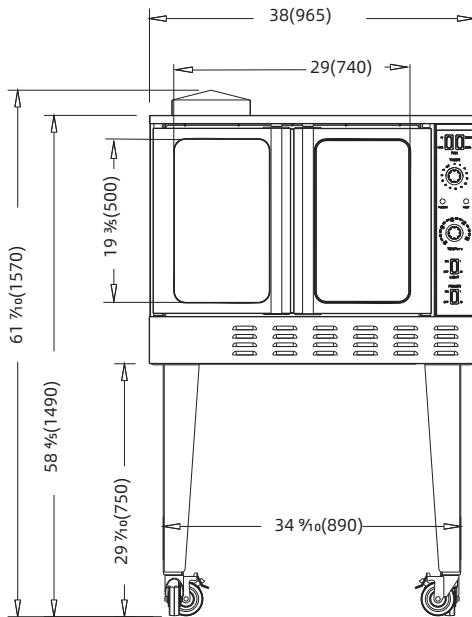


# Gas Convection Oven

## Model: FLM-COG

**•CSA Design Certified, NSF Listed**

MODEL	GAS TYPE	TOTAL BTU	OVERALL DIMENSIONS	INTERNAL CAVITY	ELECTRICAL	PACKING SIZE	NET WEIGHT	SHIPPING WEIGHT
FLM-COG	NG/ LP	54,000	38 x 44½ x 61 7/16	29 x 19 ¾ x 22 ½	120V/60Hz/1phase	42 ½ x 38 x 39 ¾	429 lbs.(195kg)	550 lbs.(250kg)



**1 YEAR PARTS WARRANTY (NOT FOR RESIDENTIAL USE)**

