

Flamaster

www.flamasterusa.com

Project name: _____

Location: _____

Item#: _____ QTY: _____

Model#: _____

Electric Hot Plate

Model: FLM-EHP24



- *Electric hot plate are a perfect addition to any food service operation.*
- *2 kW round plate elements with easy-to-clean flat surface.*
- *Provides a solid flat surface for fast, even heating.*
- *Round plates are 9" (229) diameter for maximum pan contact.*
- *Infinite heat controls for maximum cooking flexibility.*
- *Available in 15" single and dual plates, 24", 36" widths.*
- *15", 24" and 36" widths.*
- *Stainless steel front, top and sides for cleanability and professional look.*
- *Infinite heat controls for maximum cooking flexibility.*
- *Heavy-duty metal knobs.*
- *4" (102 mm) adjustable stainless steel non-skid feet.*
- *This appliance is manufactured for commercial installation only, not intended for home use.*
- *For supply connections use copper wire only, suitable for at least 90°C (194°F).*
- *An adequate ventilation system is required for Commercial Cooking Equipment.*
- *Require a 1" clearance at both side and rear adjacent to combustible construction.*

Toll Free: +1(800)373-8699
flamaster@chefmindgroup.com
Address: 1189S Jellick Ave,
City of Industry, CA 91748

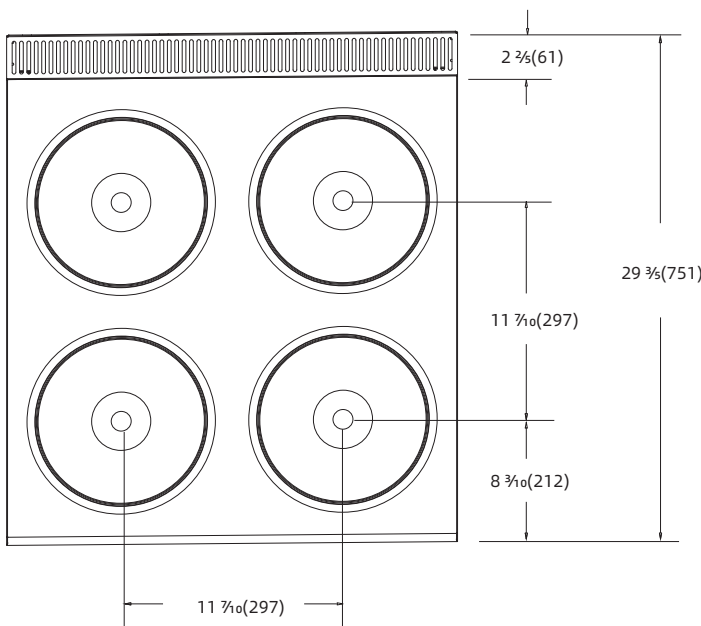
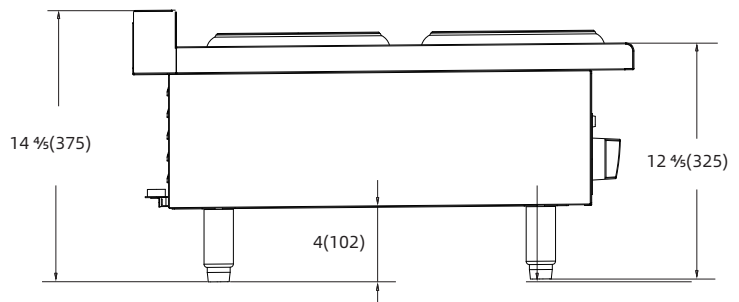
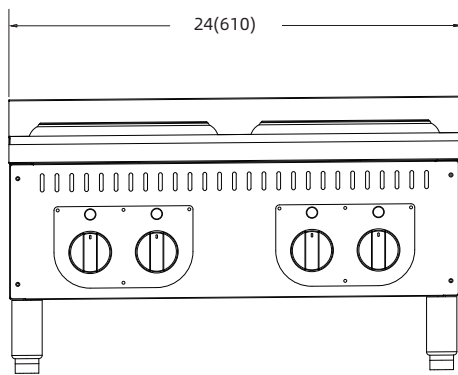


Electric Hot Plate

Model: FLM-EHP24

•ETL c/us and Sanitation Listed

| MODEL | VOLTS PHASE | WATTS | OVERALL DIMENSIONS | NET WEIGHT | SHIPPING DIMENSIONS | SHIPPING WEIGHT |
|-----------|-------------|-------|--|---------------|--|-----------------|
| FLM-EHP24 | 208V/3P | 8,000 | 24 X 29 ³ / ₈ X 14 ¹ / ₂ | 86 lbs.(39kg) | 27 ³ / ₈ X 34 ⁷ / ₁₆ X 19 ³ / ₁₆ | 128 lbs.(58 kg) |



1 YEAR PARTS WARRANTY (NOT FOR RESIDENTIAL USE)



CHEFMIND GROUP INC.

SPECIFICATIONS SUBJECT TO CHANGE WITHOUT NOTICE