

# Flamaster

www.flamasterusa.com

Project name: \_\_\_\_\_

Location: \_\_\_\_\_

Item#: \_\_\_\_\_ QTY: \_\_\_\_\_

Model#: \_\_\_\_\_

## Gas Range

### Model: FLM-R60



- *Alpha brass control components.*
- *Stainless steel front, back riser, lift off shelf.*
- *Heavy-duty cast iron grates with aeration bowl.*  
*Standing pilot light for individual burners.*
- *Manual gas control.*
- *30,000BTU(8.8KW)/Burner.*
- *33,000BTU (9.7KW) Static oven.*
- *Oven interior side guides and bottom porcelain coated.*
- *Oven thermostat adjusts from 200°F -500°F (93°C -260°C).*
- *Oven with 2 racks, 3 positions.*
- *Flue located on back of unit for ample ventilation.*
- *Easy to remove full width crumb tray.*
- *Range is fully serviceable from the front.*
- *Stainless steel legs standard, casters options.*
- *One year parts and labor warranty.\**

**Toll Free: +1(800)373-8699**  
**flamaster@chefmindgroup.com**  
Address: 1189S Jellick Ave,  
City of Industry, CA 91748



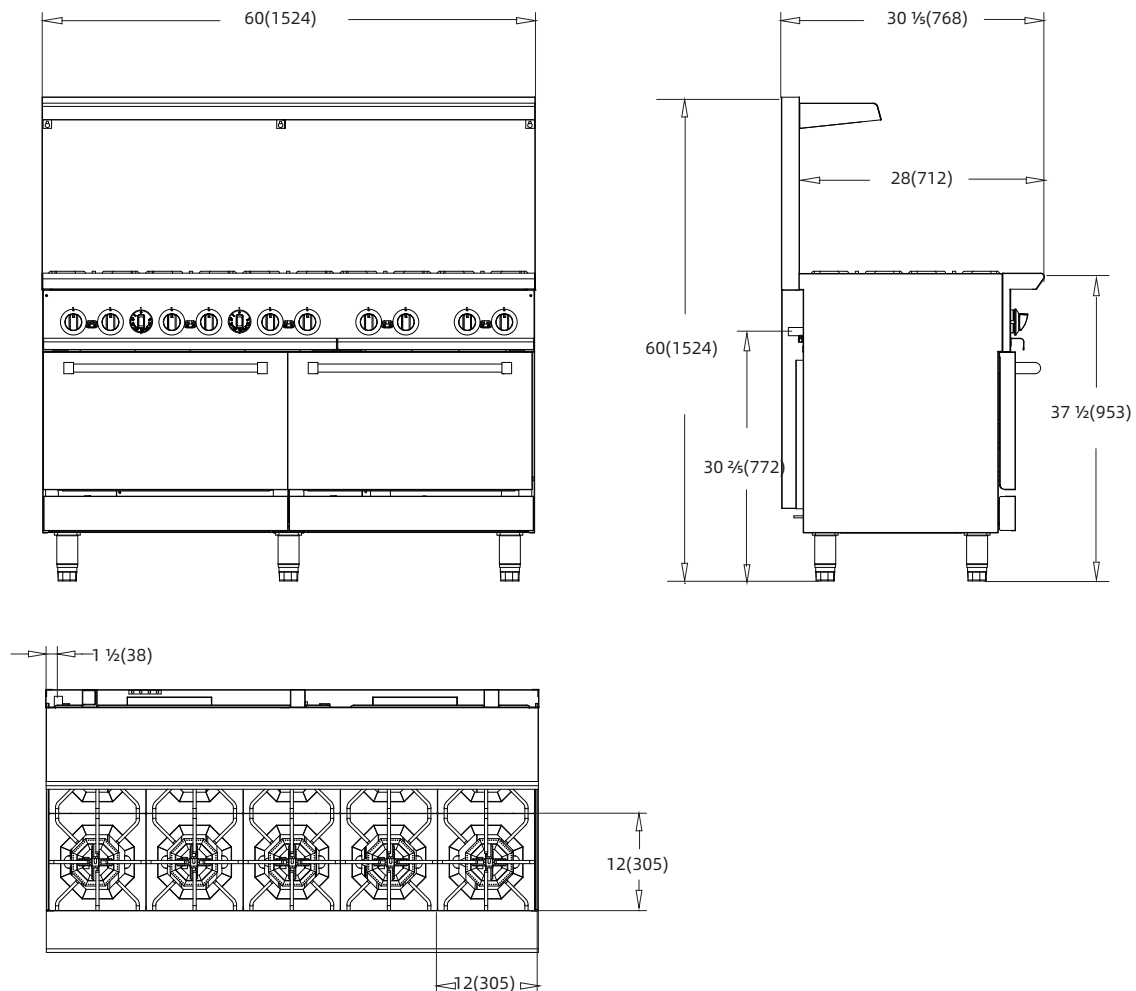
## Gas Range

### Model: FLM-R60

**•CSA Design Certified, NSF Listed**

MODEL	GAS RANGE DESCRIPTION	WIDTH	TOTAL BURNERS	
			TOP OPEN BURNERS	Bottom Oven
FLM-R60	60" Range - 10 top burners	60"	10	2

OVERALL DIMENSIONS	TOTAL BTU		STANDARD OVEN CAVITY MEASURES	NET WEIGHT	SHIPPING DIMENSIONS	SHIPPING WEIGHT
	NG	LP				
60 X 31 $\frac{3}{8}$ X 60	366,000	326,000	26 X 22 $\frac{1}{2}$ X 13 $\frac{3}{4}$	621 lbs.(282 kg)	63 X 36 $\frac{3}{8}$ X 43 $\frac{7}{8}$	749 lbs.(340 kg)



**1 YEAR PARTS WARRANTY (NOT FOR RESIDENTIAL USE)**

