

# Flamaster

www.flamasterusa.com

Project name : \_\_\_\_\_

Location : \_\_\_\_\_

Item# : \_\_\_\_\_ QTY : \_\_\_\_\_

Model# : \_\_\_\_\_

## Electric Steam Table

### Model: FLM-ST5-SS



- **Stainless Steel Construction:** Ensures durability and reliability.
- **Die-Stamped Stainless Steel Wells:** Features a 12" x 20" opening with a raised lip design for spill containment and easy cleaning. Includes an 8" wide white poly cutting board to facilitate smooth prep and pan handling.
- **Fully Insulated Wells:** All four sides and bottom are insulated with fiberglass. Features 8" deep, dry heating wells that hold four full-size food pans. Accommodates various pan configurations for maximum versatility.
- **Independent Infinite Controls:** Each 240V/1000W well is individually controlled for optimum heating versatility.
- **Versatile Dry/Wet Operation:** Although intended for dry use, this steam table can be converted for wet use with a compatible spillage pan (sold separately). Note: Adding water directly into the well is strictly prohibited.
- **Safety & Sanitation:** Meets cETLus electrical safety standards and ETL Sanitation hygiene requirements.

**Toll Free: +1(800)373-8699**  
flamaster@chefmindgroup.com  
Address: 1189S Jellick Ave,  
City of Industry, CA 91748

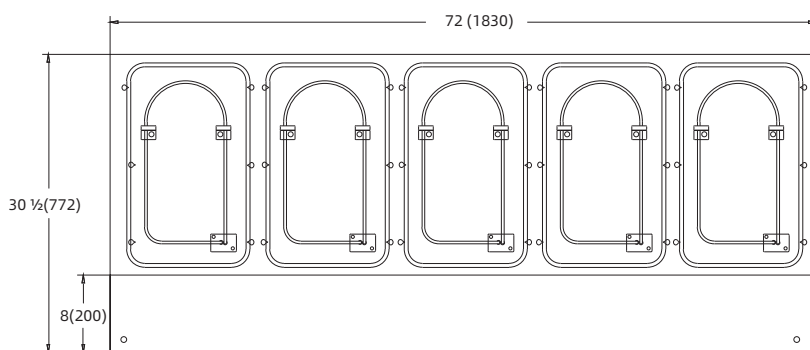
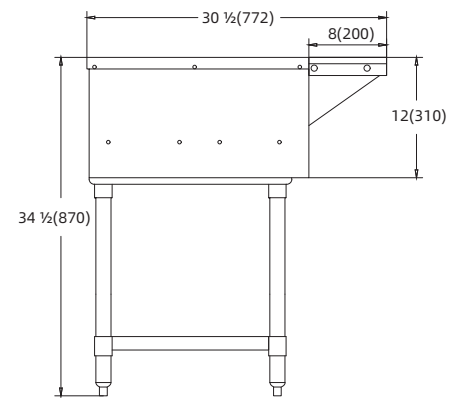
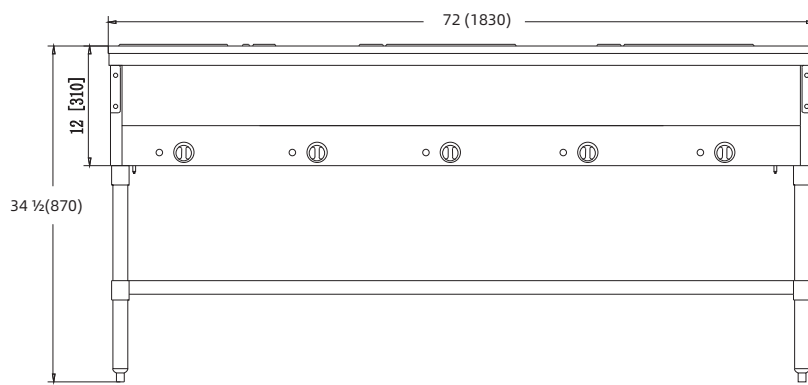


# Electric Steam Table

## Model: FLM-ST5-SS

**•ETL Certified For Safety & Sanitation**

| MODEL      | VOLTS | WATTS | AMPS  | PLUG  | OVERALL DIMENSIONS | NET WEIGHT     | SHIPPING DIMENSIONS | SHIPPING WEIGHT |
|------------|-------|-------|-------|-------|--------------------|----------------|---------------------|-----------------|
| FLM-ST5-SS | 240V  | 5,000 | 20.83 | 6-30P | 72 X 30½ X 34½     | 171 lbs.(77kg) | 75½ X 25½ X 20½     | 190 lbs.(86kg)  |



**1 YEAR PARTS WARRANTY (NOT FOR RESIDENTIAL USE)**



**CHEFMIND GROUP INC.**

SPECIFICATIONS SUBJECT TO CHANGE WITHOUT NOTICE