

Meat Slicer

Model: HBS-250

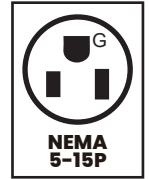


- *Classic meat slicer with plastic legs and handle. Its anodized aluminum-magnesium alloy body ensures food-contact parts are safe and easy to clean.*
- *The razor sharp 10 inch stainless steel blade, featuring an adjustable thickness knob, cuts slices up to 1/2 inch thick and is rated for 2 hours of use daily.*
- *The easy to use built-in sharpener ensures your blade stays like new, and the manual feed carriage glides smoothly for easy operation and is removable for cleaning.*

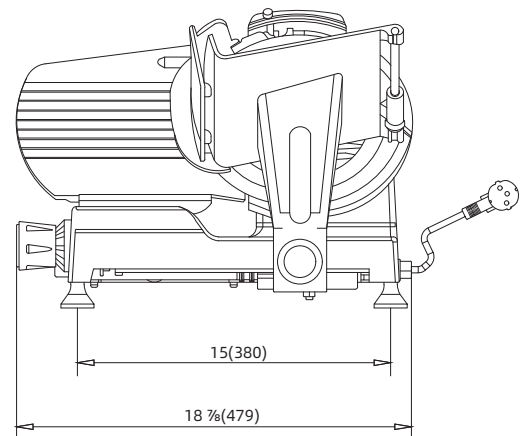
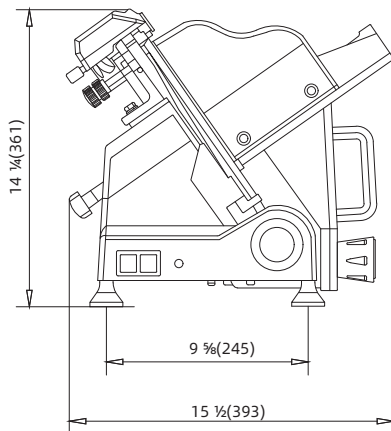
Meat Slicer

Model: HBS-250

•ETL Certified For Safety & Sanitation



MODEL	VOLTS	HERTZ	PHASE	POWER	BLADE SIZE	NEMA PLUG	NET WEIGHT	GROSS WEIGHT	SHIPPING DIMENSIONS
HBS-250	110V	60Hz	1PH	150W	10"	5-15P	36 lbs	41 lbs	22 3/8" x 18 3/10" x 16 3/10"



1 YEAR PARTS WARRANTY (NOT FOR RESIDENTIAL USE)

