

Meat Slicer

Model: HBS-350



- *Classic meat slicer with plastic legs and handle. Its anodized aluminum-magnesium alloy body ensures food-contact parts are safe and easy to clean.*
- *The razor sharp 14 inch stainless steel blade, featuring an adjustable thickness knob, cuts slices up to 1 1/5 inch thick and is rated for 2 hours of use daily.*
- *The easy to use built-in sharpener ensures your blade stays like new, and the manual feed carriage glides smoothly for easy operation and is removable for cleaning.*

Toll Free: +1 (800) 373-8699
Info@chefmindgroup.com
Address: 1189S Jellick Ave,
City of Industry, CA 91748



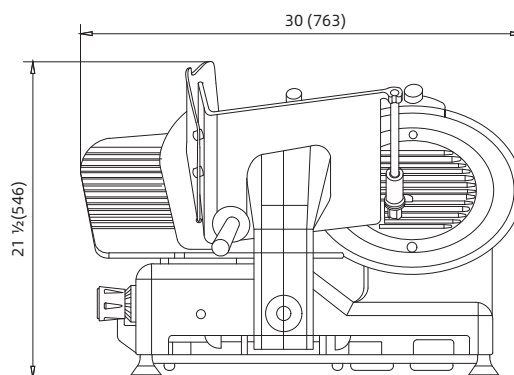
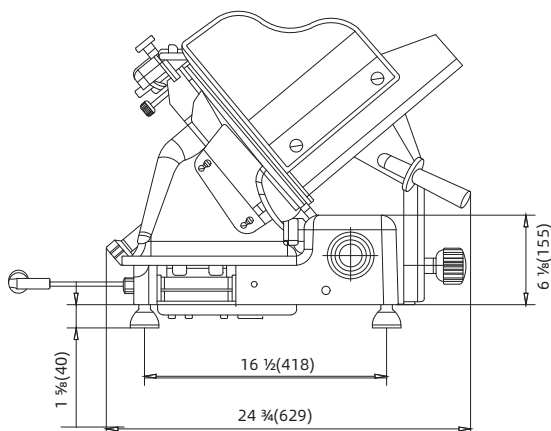
Meat Slicer

Model: HBS-350

•ETL Certified For Safety & Sanitation



MODEL	VOLTS	HERTZ	PHASE	POWER	BLADE SIZE	NEMA PLUG	NET WEIGHT	GROSS WEIGHT	SHIPPING DIMENSIONS
HBS-350	110V	60Hz	1PH	400W	14"	5-15P	109 lbs	141 lbs	33 7/10" x 28 1/2" x 27 1/8"



1 YEAR PARTS WARRANTY (NOT FOR RESIDENTIAL USE)

