

Meat Grinder

Model: HFM-12

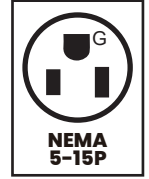


- Powers through up to 353 lb. of meat per hour.
- Stainless steel feed tray and grinding hopper are easily disassembled for cleaning.
- Plastic pusher keeps hands safe from moving parts.
- Stainless steel body with carrying handle makes this unit easy to transport.
- On the bottom, this unit has non-skid feet to ensure it won't move during use.

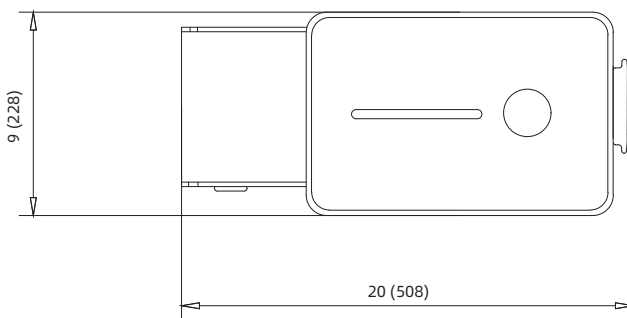
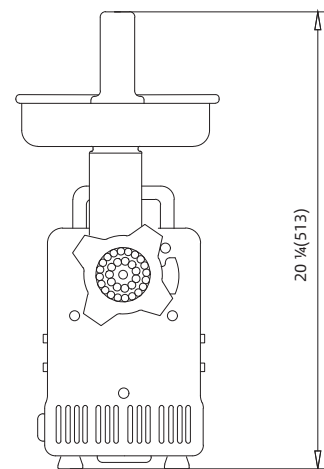
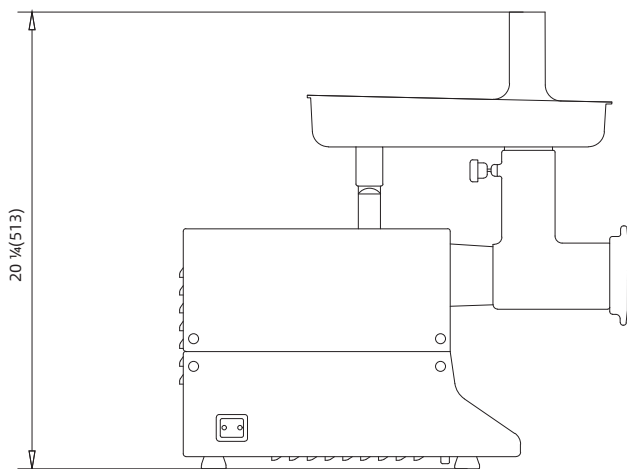
Meat Grinder

Model: HFM-12

•ETL Certified For Safety & Sanitation



MODEL	Capacity	Voltage	Power	Net Weight	Shipping Weight	SHIPPING DIMENSIONS	NEMA PLUG
HFM-12	353 lbs/h	110V / 60Hz / 1PH	550W	41 lbs	45 lbs	22 1/2" x 10 1/2" x 18 3/4"	5-15P



1 YEAR PARTS WARRANTY (NOT FOR RESIDENTIAL USE)

