

Meat Grinder

Model: HFM-22

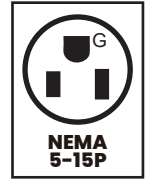


- *Stainless steel body and tray.*
- *This machine integrates functions such as meat grinding, vegetable chopping and sausage filling.*
- *The discharge hole has no gaps, does not accumulate dirt, is easy to disassemble, and is convenient for cleaning.*
- *The high-performance auger retains the nutrients in the food and keeps the meat fresh.*
- *One-touch safety switch: waterproof and leakage-proof, ensuring safety and long service life.*
- *Comfortable anti-slip foot mats. They not only provide good grip during operation, but also reduce noise.*

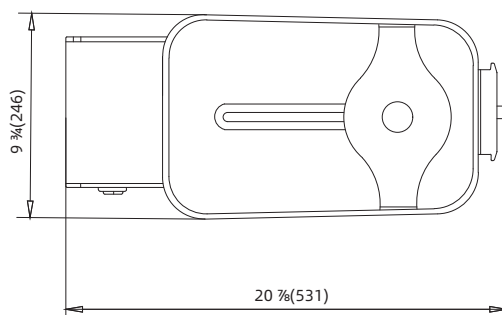
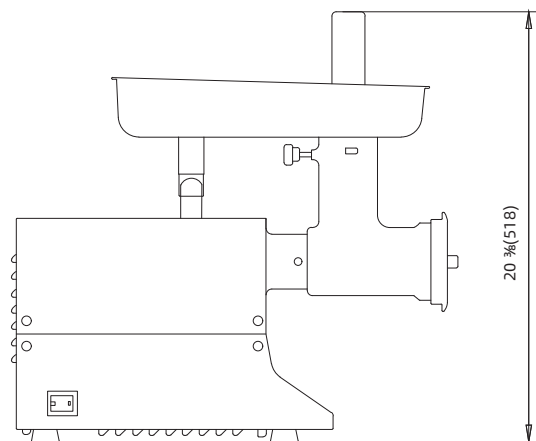
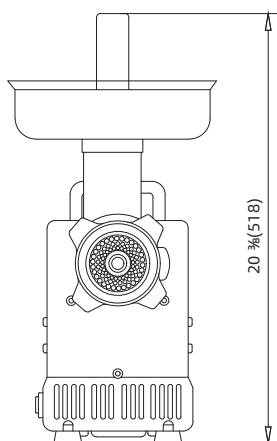
Meat Grinder

Model: HFM-22

•ETL Certified For Safety & Sanitation



MODEL	VOLTS	HERTZ	PHASE	POWER	NEMA PLUG	NET WEIGHT	GROSS WEIGHT	SHIPPING DIMENSIONS
HFM-22	110V	60Hz	1PH	1100W	5-15P	49 lbs	54 lbs	25 3/5" x 12" x 19 7/10"



1 YEAR PARTS WARRANTY (NOT FOR RESIDENTIAL USE)

