

95" Blade Floor Model Vertical Band Meat Saw

Model: HLS-2400



- Featuring a stainless steel chassis, head, and worktable, it is equipped with 94 1/2-inch blades and 11 4/5-inch saw wheels.
- Suitable for cutting fresh meat and bones; when cutting frozen meat and bones, a suitable saw blade must be selected.
- Equipped with safety shut-off switch and blade guard; 220V, 2200W, 3-phase power supply.
- The cutting direction is clockwise.
- The saw can only be used after the saw blade is taut (you will hear a slicing sound).
- Use the push rod and button during operation.
- Never handle the meat directly with your hands.
- The cutting direction should not be changed arbitrarily.
- Protective gloves must be worn, especially when handling small parts (such as pig's trotters).
- The highest noise level is 70 dB(a).

ChefAsst

www.chefasstusa.com

Toll Free: +1 (800) 373-8699

Info@chefmindgroup.com

Address: 1189S Jellick Ave,
City of Industry, CA 91748

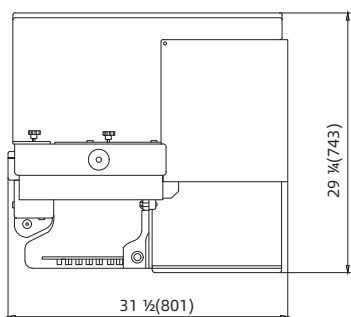
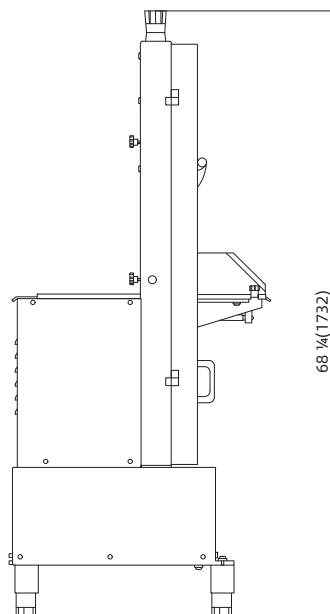
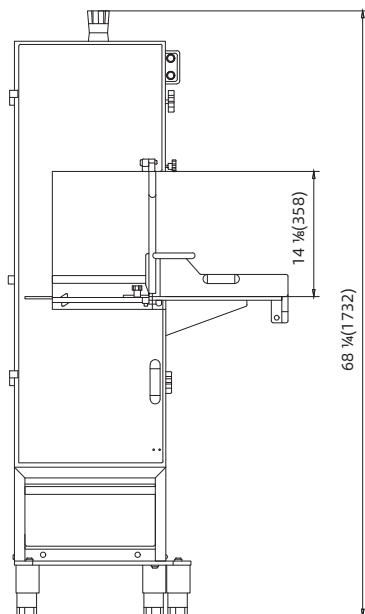
95" Blade Floor Model Vertical Band Meat Saw

Model: HLS-2400

•ETL Certified For Safety & Sanitation



MODEL	Voltage	Power	Blade Length	Wheel Diameter	Net Weight	SHIPPING WEIGHT	Shipping Dimensions
HLS-2400	220V / 60Hz / 3PH	2200W	94 1/2"	11 1/8"	311 lbs	409 lbs	34 1/2" x 32 3/10" x 68 3/10"



1 YEAR PARTS WARRANTY (NOT FOR RESIDENTIAL USE)



CHEFMIND GROUP INC.

SPECIFICATIONS SUBJECT TO CHANGE WITHOUT NOTICE