

## Meat Grinder

### Model: HM-22A



- *Aluminum-magnesium alloy body with stainless steel tray.*
- *This machine integrates functions such as meat grinding, vegetable chopping, and sausage filling.*
- *The discharge hole has no gaps, does not accumulate dirt, is easy to disassemble, and is convenient for cleaning.*
- *The high-performance auger retains the nutrients in the food and keeps the meat fresh.*
- *One-touch safety switch: waterproof and leakage-proof, safe with long service life.*
- *Comfortable anti-slip foot mats that not only provide good grip during operation but also reduce noise.*

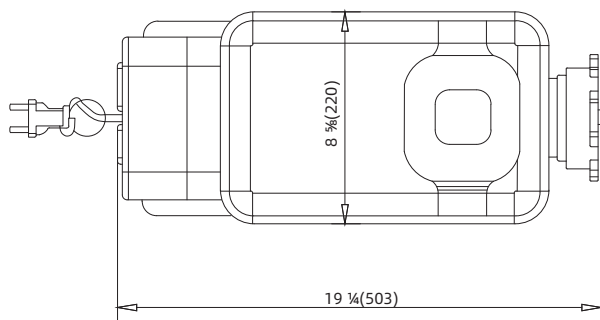
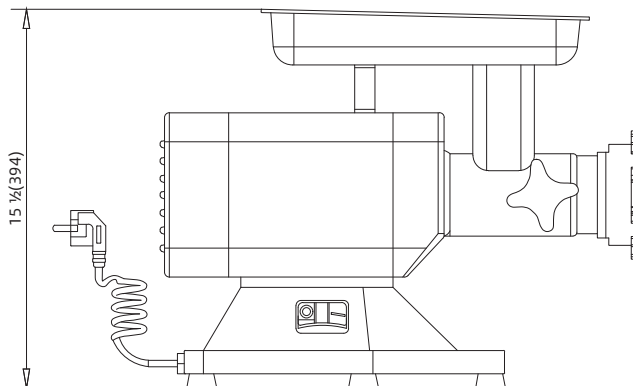
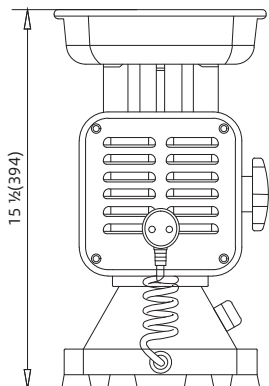
## Meat Grinder

### Model: HM-22A

**•ETL Certified For Safety & Sanitation**



MODEL	VOLTS	HERTZ	PHASE	POWER	NEMA PLUG	NET WEIGHT	GROSS WEIGHT	SHIPPING DIMENSIONS
HM-22A	110V	60Hz	1PH	1100W	5-15P	53 lbs	55 lbs	23 1/8" x 10 3/8" x 17 1/8"



**1 YEAR PARTS WARRANTY (NOT FOR RESIDENTIAL USE)**

