

49" Black Glass Door Back Bar Refrigerator

Model: PLM-BC2-24G



- Tested to NSF Standard 7 requirements for open food storage.
- Temperature setting range from 33°F to 41°F.
- Environmentally friendly R290 hydrocarbon refrigerant.
- Exterior: Black-painted steel with stainless steel countertop.
- Lockable doors for secure storage.
- Each door features removable magnetic gaskets for easy cleaning.
- Interior: Stainless steel construction, including stainless steel floor.
- Interior LED lighting.
- Electronic thermostat with digital LED display for precise temperature control, mounted on the front access panel.
- Easy-mount casters (2 lockable) included as standard on all units.

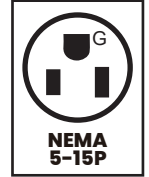
Toll Free: +1 (800) 373-8699
polarman@chefmindgroup.com
Address: 1189S Jellick Ave,
City of Industry, CA 91748



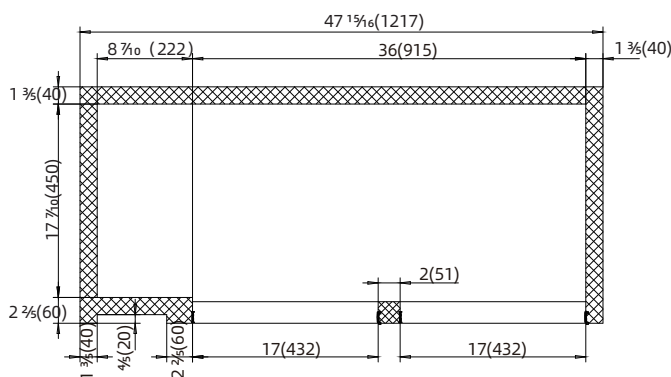
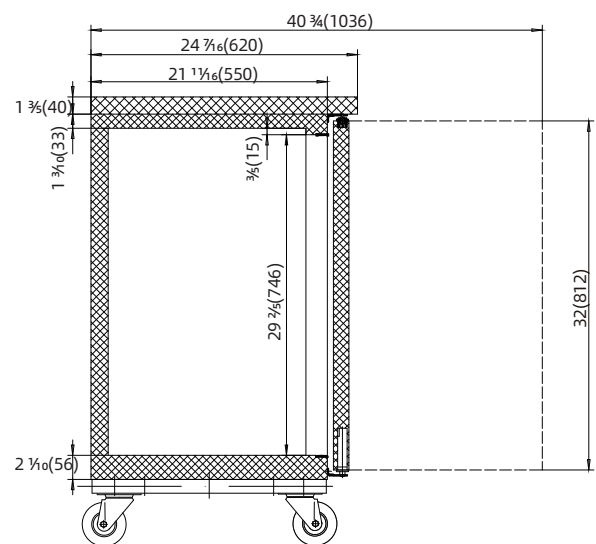
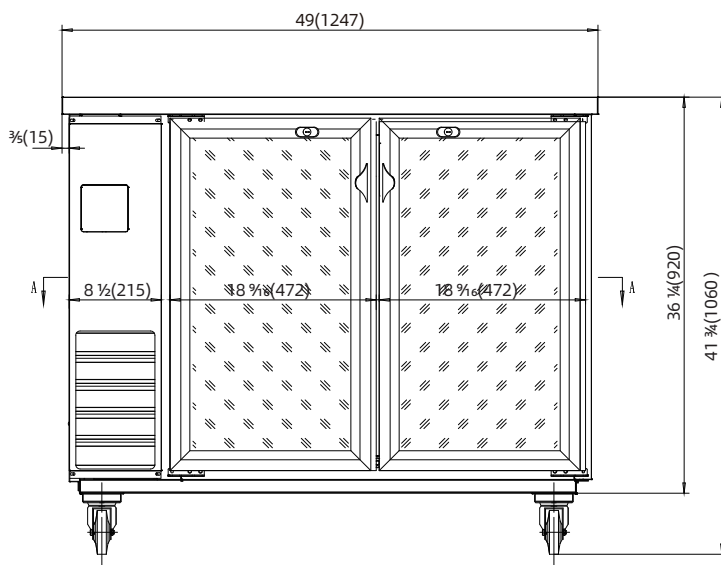
49" Black Glass Door Back Bar Refrigerator

Model: PLM-BC2-24G

•ETL Certified to ANSI/NSF Standard 7



MODEL	EXTERNAL DIMENSION (inches)	V/Hz/Ph	STORAGE CAPACITY Cu.Ft.	TEMPERATURE	REFRIGERANT	AMPS	DOORS	NEMA PLUG	SHIPPING WEIGHT (lbs.)
PLM-BC2-24G	49 x 24 7/16 x 36 1/4	115/60/1	12.5	33°F to 41°F	R290	3	2	5-15P	307



**2 YEAR PARTS WARRANTY
5 YEAR COMPRESSOR WARRANTY (NOT FOR RESIDENTIAL USE)**

