

73 1/16" Beer Kegerator Beer Dispenser Cooler

Model: PLM-BCBD4-2



- Tested to NSF Standard 7 requirements for open food storage.
- Standard with two towers and two faucets per tower.
- Bright stainless steel interior.
- Exterior cabinet construction consists of black powder-coated steel front and sides.
- Reinforced stainless steel threshold and floor.
- Electronic thermostat with digital LED display for accurate control, located behind front access panel.
- Top is 1.5" thick solid foam-cored stainless steel.
- 24" depth conserves important workspace.
- Standard with interior top-ventilated s/s duct to allow for even temperature across all doors.
- Interior ventilated air duct becomes a convenient "chase-way" for cool-air vent tubes, which are directed up each beer tower to properly chill them.
- Front-accessible condensing unit for easy cleaning and maintenance.
- External drain mount.
- Mounted 4-way air distributor, located on back wall, top left.
- Interior LED lighting.
- Each door is equipped with locks and magnetic gaskets that are removable for cleaning.
- Easy-to-mount 3.25" casters (2 lockable) are standard with all units.

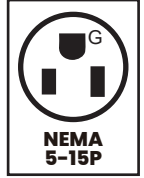
Toll Free: +1 (800) 373-8699
polarman@chefmindgroup.com
Address: 1189S Jellick Ave,
City of Industry, CA 91748



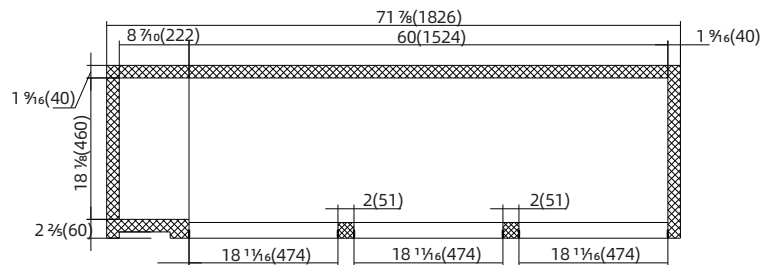
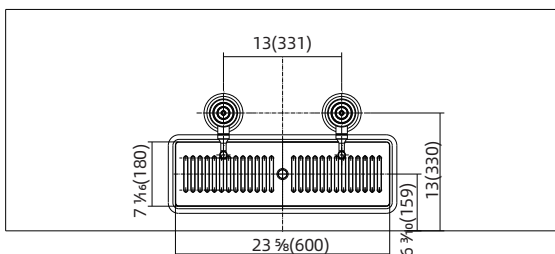
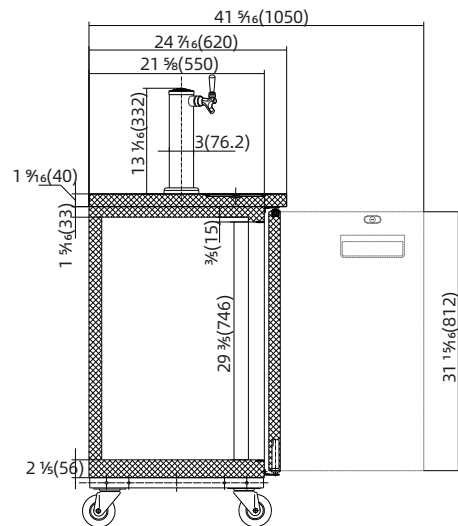
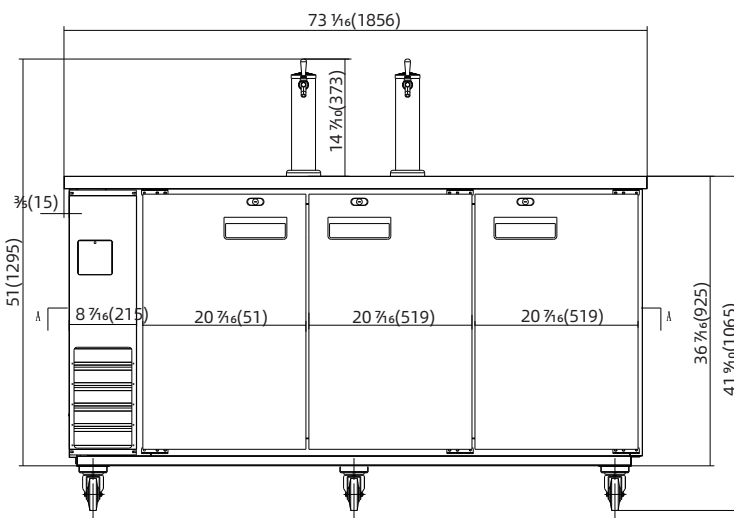
73 1/16" Beer Kegerator Beer Dispenser Cooler

Model: PLM-BCBD4-2

•Certified to ANSI/NSF Standard 7



MODEL	EXTERNAL DIMENSION inch	V/Hz/Ph	STORAGE CAPACITY Cu-ft	TEMPERATURE	REFRIGERANT	HP	AMPS	CORD LENGTH	NEMA PLUG	SHIPPING WEIGHT (lbs.)
PLM-BCBD4-2	73 1/16 x 24 7/16 x 51	115V/60Hz/1	20.8	33°F-41°F	R290	1/2	3	8'	5-15P	349



**2 YEAR PARTS WARRANTY
5 YEAR COMPRESSOR WARRANTY**

