

## 47 3/8" Pizza Prep Table Stainless Steel Solid Door

### Model: PLM-P44S

- Tested to NSF Standard 7 requirements for open food storage.
- Interior cabinet is full stainless steel, floor with coved corners.
- Exterior cabinet construction consists of full stainless steel front and sides.
- Full length, heavy-duty 5/8" thick cutting board is included.
- 1/3 size plastic pans included.
- Cool "air over" raised pan rail design.
- Electronic thermostat with external digital LED display for accurate control and easy reading.
- Large fan motors and blades for more efficient air flow ensuring faster temp recovery times.
- Efficient condensate hot gas loop built into condensate pan for energy saving evaporation of excess condensate water.
- Self contained capillary tube system using environmentally friendly R290 Hydrocarbon gas.
- Vaulted self closing doors that remain open at 90 degrees.
- Magnetic door gaskets are removable and replaceable without tools.
- Easy to mount plate casters (2 locking) are standard with all units.



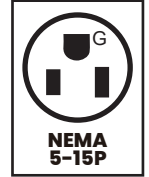
**Toll Free: +1 (800) 373-8699**  
**polarman@chefmindgroup.com**  
Address: 1189S Jellick Ave,  
City of Industry, CA 91748



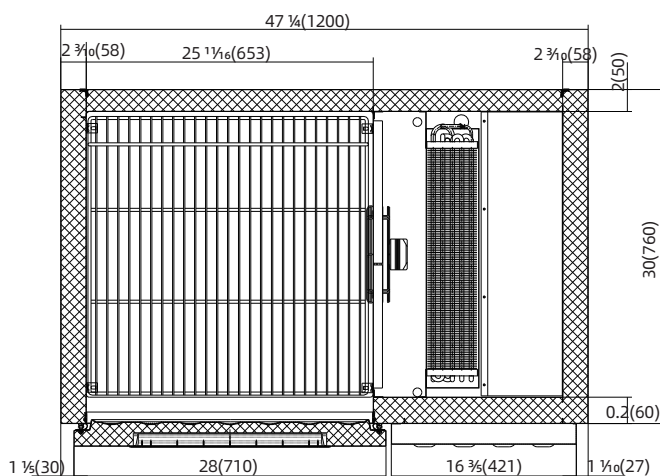
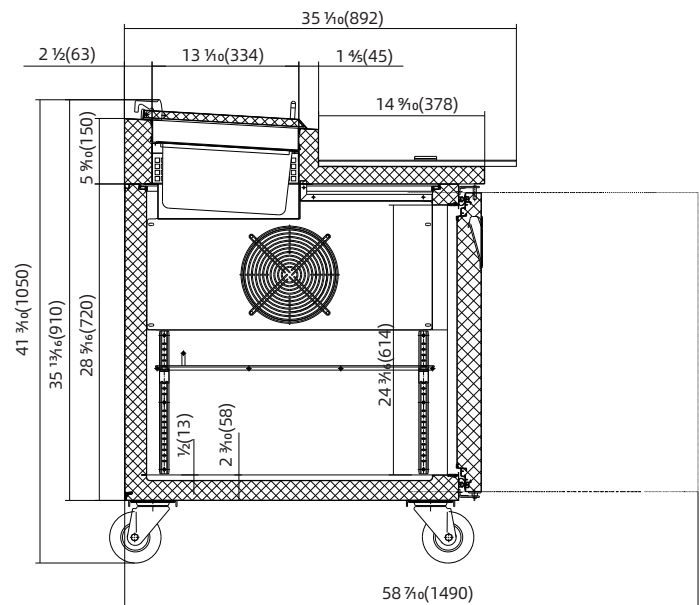
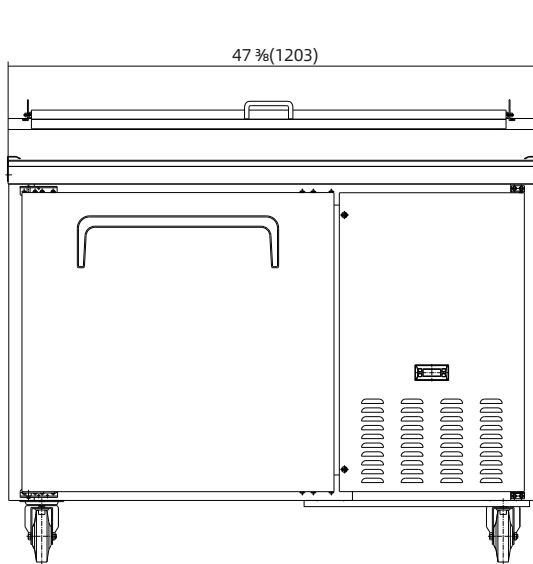
# 47 3/8" Pizza Prep Table Stainless Steel Solid Door

## Model: PLM-P44S

•ETL Certified to ANSI/NSF Standard 7



MODEL	EXTERNAL DIMENSION (inches)	V/Hz/Ph	STORAGE CAPACITY Cu.Ft.	DOORS	TEMPERATURE	REFRIGERANT	AMPS	CORD LENGTH	NEMA PLUG	SHIPPING WEIGHT (lbs.)
PLM-P44S	47 3/8 x 32 1/4 x 41 5/16	115/60/1	12	1	33°F to 41°F	R290	5	8'	5-15P	329



**2 YEAR PARTS WARRANTY**  
**5 YEAR COMPRESSOR WARRANTY (NOT FOR RESIDENTIAL USE)**

