

Project name : _____

Location : _____

Item# : _____ QTY : _____

Model# : _____

60" Countertop Refrigerated Topping Rail

Model: PLM-PD60



- Tested to NSF Standard 7 requirements for open food storage.
- Constructed from durable SUS304 stainless steel, both inside and out.
- Electronic thermostat with external digital LED display for accurate control and easy reading.
- Environmentally friendly R290 Hydrocarbon refrigerant.
- Lift-up lid for easy access and food safety.
- Accommodates up to (6) 1/3 size or (12) 1/6 size food pans (sold separately).

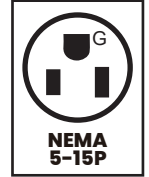
Toll Free: +1 (800) 373-8699
polarman@chefmindgroup.com
Address: 1189S Jellick Ave,
City of Industry, CA 91748



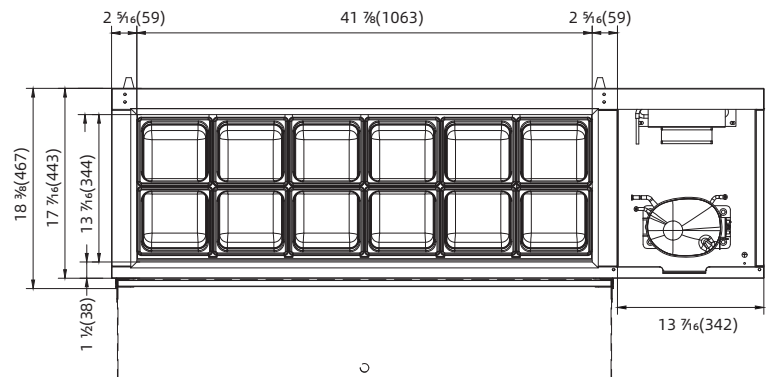
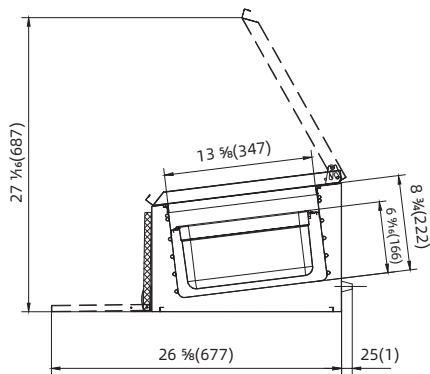
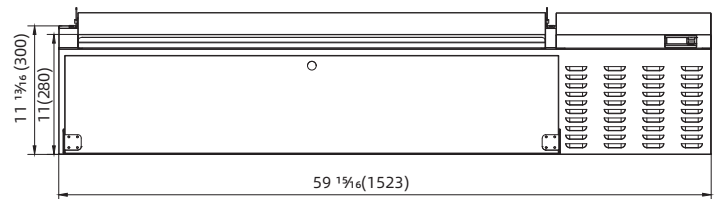
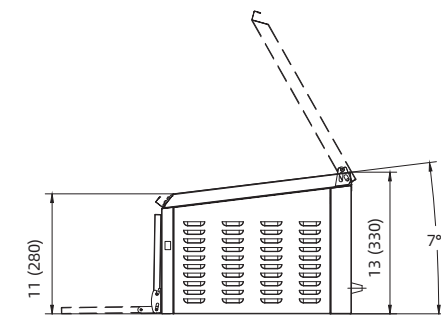
60" Countertop Refrigerated Topping Rail

Model: PLM-PD60

•ETL Certified to ANSI/NSF Standard 7



MODEL	EXTERNAL DIMENSION (inches)	V/Hz/Ph	STORAGE CAPACITY	HP	TEMPERATURE	REFRIGERANT	AMPS	COMPRESSOR LOCATION	NEMA PLUG	SHIPPING WEIGHT (lbs.)
PLM-PD60	60 x 17 7/16 x 13 1/2	115/60/1	12xGN1/6	1/5	33°F to 41°F	R290	2	Side Mounted	5-15P	137



1 YEAR PARTS WARRANTY (NOT FOR RESIDENTIAL USE)



CHEFMIND GROUP INC.

SPECIFICATIONS SUBJECT TO CHANGE WITHOUT NOTICE