

28" Countertop Refrigerated Bakery Display Case

Model: PLM-Q120L-4



- Tested to NSF Standard 7 requirements for open food storage.
- Brilliant internal LED illumination on top.
- Digital temperature controller and display, uses R-290 refrigerant, which keeps the interior temperature at a safe level between 32°F-53.6°F.
- Includes 2 Adjustable Shelves.
- 4 sides double glass Front Curved glass.
- Sliding doors.
- Maintenance free condenser.
- Ventilated cooling system.
- Automatic defrost.
- Air duct outside the glass to remove condensation water.

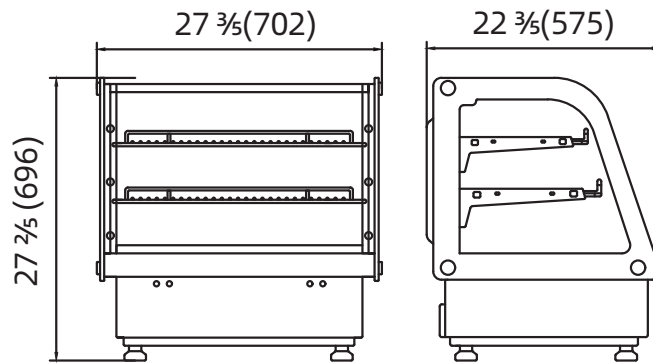
28" Countertop Refrigerated Bakery Display Case

Model: PLM-Q120L-4

•ETL Certified For Safety & Sanitation



MODEL	EXTERNAL DIMENSION (inches)	V/Hz/Ph	STORAGE CAPACITY L	NET WEIGHT (lbs.)	TEMPERATURE	REFRIGERANT	AMPS	RATED INPUT POWER W	NEMA PLUG	SHIPPING WEIGHT (lbs.)
PLM-Q120L-4	27 3/8 x 22 3/8 x 27 3/8	115/60/1	115	132	32°F to 53.6°F	R290	2.7	295	5-15P	139



1 YEAR PARTS WARRANTY (NOT FOR RESIDENTIAL USE)



CHEFMIND GROUP INC.

SPECIFICATIONS SUBJECT TO CHANGE WITHOUT NOTICE