

## 27" Countertop Heated Display Case

### Model: PLM-R120L-5



- Tested to NSF Standard 7 requirements for open food storage.
- Sliding Door Design, The design of sliding doors can greatly save space for your store or restaurant.
- Our showcase has three adjustable chrome plated shelves.
- Digital Temperature Control, Our display case uses R290 refrigerant, which keeps the interior temperature at a safe level between 86°F - 194°F.
- Specially designed air outlets circulate air in front of the curved glass to reduce the accumulation of condensation.
- This crumb tray can effectively hold food crumbs.
- Air duct outside the glass to remove condensation water.
- Brilliant Internal LED illumination on top.

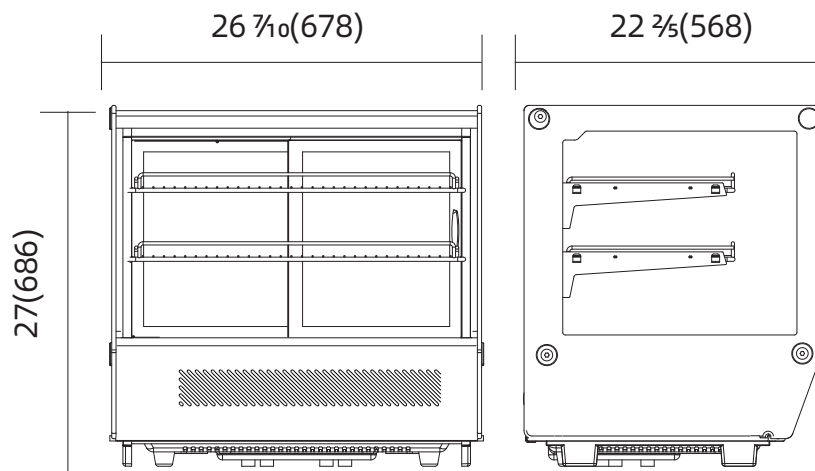
# 27" Countertop Heated Display Case

## Model: PLM-R120L-5

**•ETL Certified For Safety & Sanitation**



MODEL	EXTERNAL DIMENSION (inches)	V/Hz/Ph	STORAGE CAPACITY L	DOORS	TEMPERATURE	REFRIGERANT	AMPS	RATED INPUT POWER W	NEMA PLUG	SHIPPING WEIGHT (lbs.)
PLM-R120L-5	26 7/16 x 22 3/8 x 27	115/60/1	120	2	86°F to 194°F	R290	15	1800	5-15P	92



**1 YEAR PARTS WARRANTY (NOT FOR RESIDENTIAL USE)**



**CHEFMIND GROUP INC.**

SPECIFICATIONS SUBJECT TO CHANGE WITHOUT NOTICE