

## 22" 4-Sided White Glass Refrigerated Display

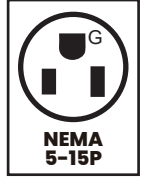
### Model: PLM-R215L-3



- Tested to NSF Standard 7 requirements for open food storage.
- LED light at 2 front sides.
- Digital Temperature Control.
- Display case uses R-290 refrigerant, which keeps the interior temperature at a safe level between 32°F-53.6°F.
- Adjustable PVC coated shelves.
- Front curved glass door 4 sides double glass.
- Castors with 2 brakes.
- Ventilated cooling system.
- Auto Remove Condensation.
- Air duct outside the glass to remove condensation water.

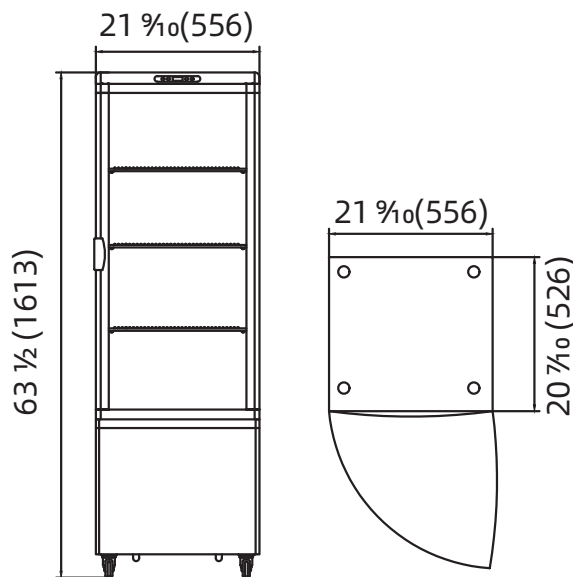
# 22" 4-Sided White Glass Refrigerated Display

## Model: PLM-R215L-3



**•ETL Certified For Safety & Sanitation**

MODEL	EXTERNAL DIMENSION (inches)	V/Hz/Ph	STORAGE CAPACITY L	NET WEIGHT (lbs.)	TEMPERATURE	REFRIGERANT	AMPS	DOORS	NEMA PLUG	SHIPPING WEIGHT (lbs.)
PLM-R215L-3	21 7/10 x 20 7/10 x 63 1/2	115/60/1	215	162	32°F to 53.6°F	R290	3.5	1	5-15P	172



**1 YEAR PARTS WARRANTY (NOT FOR RESIDENTIAL USE)**



**CHEFMIND GROUP INC.**

SPECIFICATIONS SUBJECT TO CHANGE WITHOUT NOTICE