

# 17" 4-Sided Glass Refrigerated Display Case

## Model: PLM-R78L(1R)



- Tested to NSF Standard 7 requirements for open food storage.
- LED light at 2 front sides.
- Digital Temperature Control  
Display case uses R-290 refrigerant, which keeps the interior temperature at a safe level between 32°F-53.6°F.
- Has adjustable PVC coated shelves.
- Front curved glass door.
- 4 sides double glass.
- Maintenance free condenser.
- Ventilated Cooling  
A powerful refrigeration system maintains a constant temperature.
- Automatic defrost.
- Cold and Hot interchanged.
- Heating with circulating air.

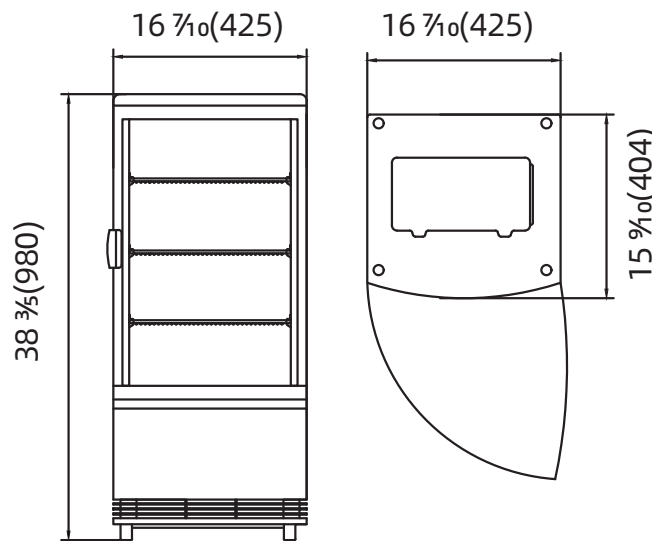
# 17" 4-Sided Glass Refrigerated Display Case

## Model: PLM-R78L(1R)

**•ETL Certified For Safety & Sanitation**



MODEL	EXTERNAL DIMENSION (inches)	V/Hz/Ph	STORAGE CAPACITY L	NET WEIGHT (lbs.)	TEMPERATURE	REFRIGERANT	AMPS	DOORS	NEMA PLUG	SHIPPING WEIGHT (lbs.)
PLM-R78L(1R)	16 7/10 x 15 9/10 x 38 3/5	115/60/1	82	79.4	32°F to 53.6°F	R290	1.6	1	5-15P	85



**1 YEAR PARTS WARRANTY (NOT FOR RESIDENTIAL USE)**



**CHEFMIND GROUP INC.**

SPECIFICATIONS SUBJECT TO CHANGE WITHOUT NOTICE