

71 3/4" Under Counter Refrigerator Stainless Steel Door

Model: PLM-UC-72S



- Tested to NSF Standard 7 requirements for open food storage.
- Interior cabinet walls are constructed of white epoxy coated steel liner with full hi-level stainless steel coved corner floor.
- Exterior cabinet construction consists of full stainless steel front and sides.
- All units come standard with heavy-duty worktop surface.
- Electronic thermostat with external digital LED display for accurate control and easy reading.
- Larger fan motors and blades for more efficient air flow ensuring faster recovery times.
- Self-contained capillary tube system using environmentally friendly R290 Hydrocarbon gas.
- 3 adjustable, heavy-duty epoxy coated wire shelves.
- Efficient condensate hot gas loop built into condensate pan for energy saving evaporation of excess condensate water.
- Vaulted self closing doors that remain open at 90 degrees.
- Magnetic door gaskets are removable and replaceable without tools.
- Refrigerator door frame have intergral factory installed heating element to eliminate condensation.
- Easy to mount casters (2 lockable) are standard with all units.

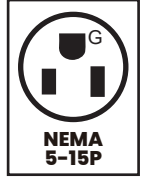
Toll Free: +1 (800) 373-8699
polarman@chefmindgroup.com
Address: 1189S Jellick Ave,
City of Industry, CA 91748



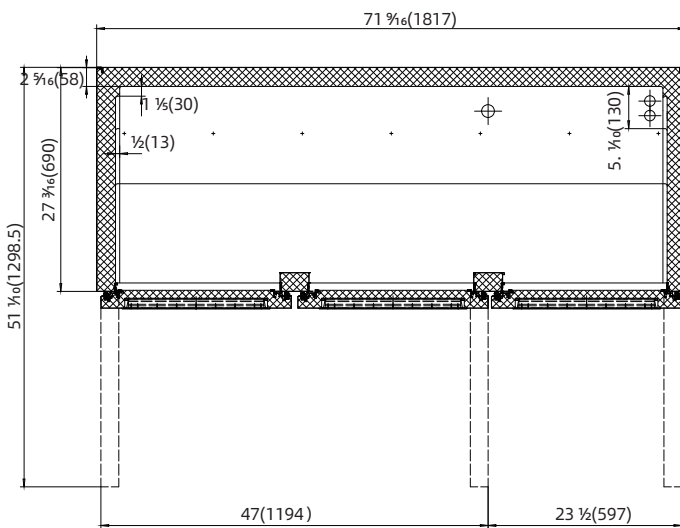
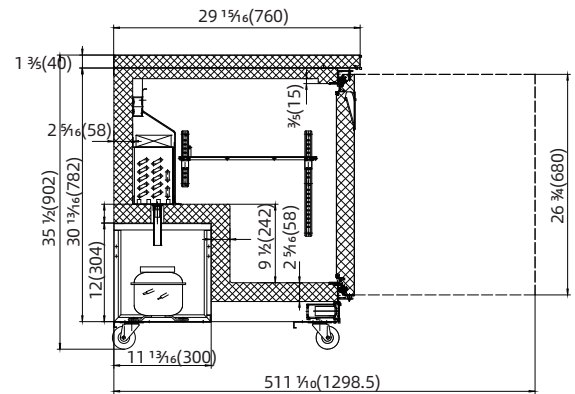
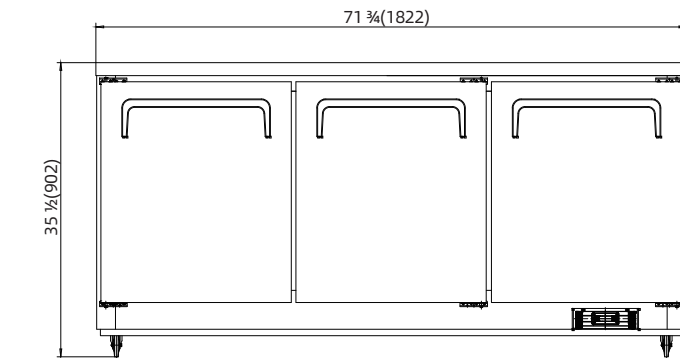
71 3/4" Under Counter Refrigerator Stainless Steel Door

Model: PLM-UC-72S

•Certified to ANSI/NSF Standard 7



MODEL	EXTERNAL DIMENSION inch	V/Hz/Ph	STORAGE CAPACITY Cu-ft	NUMBER OF DOOR	TEMPERATURE	REFRIGERANT	HP	AMPS	CORD LENGTH	NEMA PLUG	SHIPPING WEIGHT (lbs.)
PLM-UC-72S	71 3/4 x 29 1/16 x 35 1/2	115V/60Hz/1	18	3	33°F-41°F	R290	3/8	3.5	8'	5-15P	380



**2 YEAR PARTS WARRANTY
5 YEAR COMPRESSOR WARRANTY**

