

24" Countertop Heated Display Case Merchandiser

Model: PLM-W65D-M



- Tested to NSF Standard 7 requirements for open food storage.
- Each shelf has its own Independent heat.
- With three-sided glass and an open front for easy access and full visibility.
- Our showcase has 2 chrome plated shelves.
- Equipped temperature controller that ranges from 85 to 190 degrees Fahrenheit.
- Equipped with LED lighting, can better display your food.

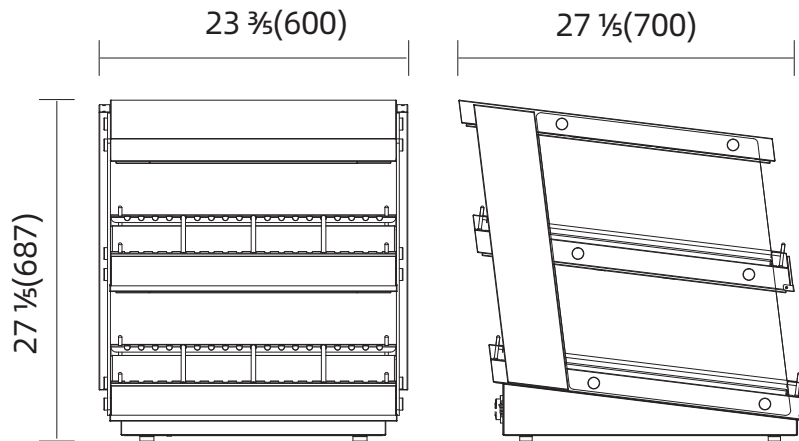
24" Countertop Heated Display Case Merchandiser

Model: PLM-W65D-M

•ETL Certified For Safety & Sanitation



MODEL	EXTERNAL DIMENSION (inches)	V/Hz/Ph	CAPACITY-GROSS (m ³)	NET WEIGHT (lbs.)	TEMPERATURE	REFRIGERANT	AMPS	RATED INPUT POWER W	NEMA PLUG	SHIPPING WEIGHT (lbs.)
PLM-W65D-M	23 3/8 x 27 1/2 x 27 1/2	110/60/1	0.65	86	86°F to 185°F	R290	15	980	5-15P	93



1 YEAR PARTS WARRANTY (NOT FOR RESIDENTIAL USE)

