

27" Countertop Heated Display Case

Model: PLM-W96L



- *Tested to NSF Standard 7 requirements for open food storage.*
- *Sliding Door Design, The design of sliding doors can greatly save space for your store or restaurant.*
- *Our showcase has three adjustable chrome plated shelves.*
- *Digital Temperature Control, Our display case uses R290 refrigerant, which keeps the interior temperature at a safe level between 86°F - 194°F.*
- *This crumb tray can effectively hold food crumbs.*
- *Brilliant Internal LED illumination on top.*

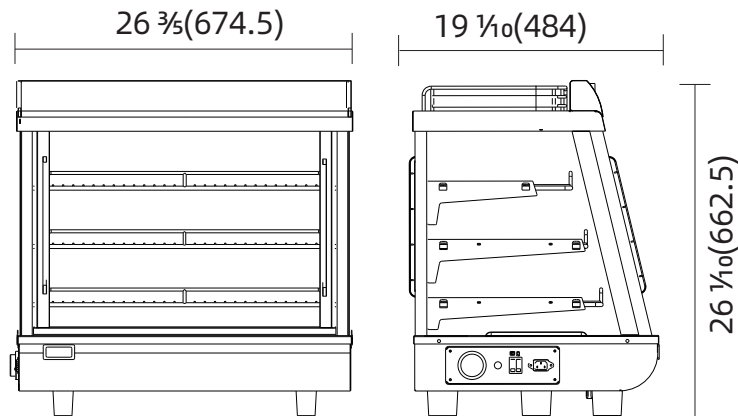
27" Countertop Heated Display Case

Model: PLM-W96L

•ETL Certified For Safety & Sanitation



| MODEL | EXTERNAL DIMENSION (inches) | V/Hz/Ph | STORAGE CAPACITY L | DOORS | TEMPERATURE | REFRIGERANT | AMPS | RATED INPUT POWER W | NEMA PLUG | SHIPPING WEIGHT (lbs.) |
|----------|-----------------------------|----------|--------------------|-------|---------------|-------------|------|---------------------|-----------|------------------------|
| PLM-W96L | 26 3/5 x 19 1/10 x 26 1/10 | 115/60/1 | 96 | 2 | 86°F to 194°F | R290 | 9.5 | 1000 | 5-15P | 80 |



1 YEAR PARTS WARRANTY (NOT FOR RESIDENTIAL USE)



CHEFMIND GROUP INC.

SPECIFICATIONS SUBJECT TO CHANGE WITHOUT NOTICE