



UCG060A

## Features

- Produces clear, long-lasting gourmet cubes.
- Space-saving 15 1/4 in. (390 mm) wide under-counter design.
- Produces up to 63 lbs. (28.5 kg) of ice per day.
- Constructed from sturdy, corrosion-resistant stainless steel and fingerprint-proof plastic.
- Ideal for any under-counter or bar application.
- Contemporary, elegant design.
- Environmentally friendly R290A refrigerant.

## Space-Saving Solutions

- Front air discharge design for compact spaces.
- Low profile top saves counter space.
- Fits under compliant counters.
- Stores up to 17 1/2 lbs. (8 kg) of ice.
- Easy front access to ice.
- Removable Air Filter.

## Options & Accessories

WATER FILTERS			
Ice Machine Model	Manifold		Inline
	System	Replacement	System
UCG060A	IFQ1-S	IOMQ-S	IF14C / IF18C

## Ice Maker Warranty

Every UCG Ice-O-Matic ice maker is backed by a warranty that provides both parts and labor coverage.

- Three years parts and labor.

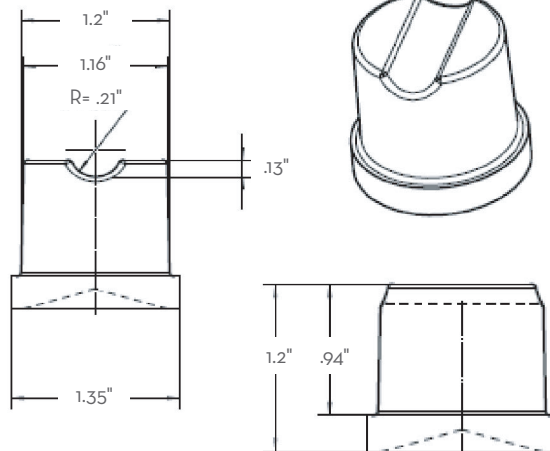
## Ice Form



GOURMET ICE

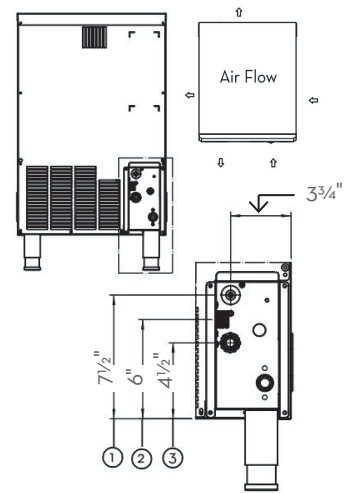
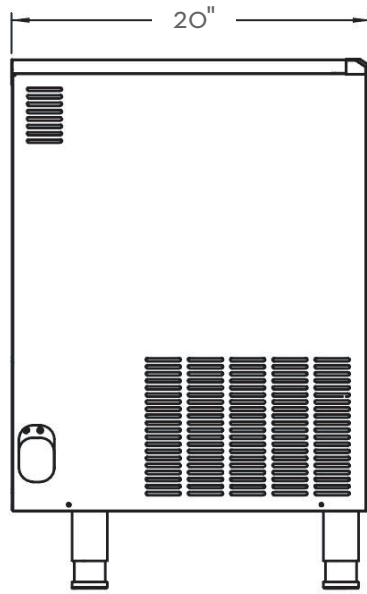
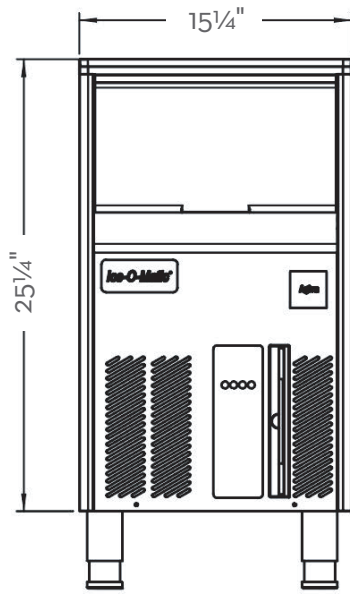
### GOURMET ICE DIMENSIONS

Height	1.2" (30.5 mm)
Diameter	1.35" (34.25 mm)





UCGO60A GOURMET SERIES UNDERCOUNTER



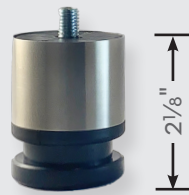
### Legs Included

Extends from 5" to 6 3/4"



### UCG SHORT LEG OPTION

Extends from 2 1/8" to 2 1/2"



Part No. 1011411-87

- 1 - Power Cord
- 2 - 3/4" Water Inlet
- 3 - 25/32" Water Drain

## Dimensions

MODELS		LEGS INCLUDED	UCG SHORT LEG OPTION
W x D x H (in.)	*15 1/4 x 20 x 25 1/4	15 1/4 x 20 x 30 1/4 (min) 15 1/4 x 20 x 32 (max)	15 1/4 x 20 x 27 3/8 (min) 15 1/4 x 20 x 27 3/4 (max) <b>COST OPTION</b>
W x D x H (mm)	*390 x 515 x 640	390 x 515 x 765 (min) 390 x 515 x 810 (max)	390 x 515 x 695 (min) 390 x 515 x 704 (max) <b>COST OPTION</b>

\* Dimensions do not account for Included or UCG Short Leg Option.

## Operating Requirements

	MINIMUM	MAXIMUM
	60 Hz	
Ambient Temp. Range Air	50°F (10°C)	109°F (43°C)
Water Temp.	41°F (5°C)	100°F (38°C)
Water Pressure	14 PSI (1 BAR)	70 PSI (5 BAR)
Electrical Voltage	115V/60Hz/1ph	

## Specifications

Model Number	Cond. Unit	Ice Production per 24hrs		Storage Capacity lbs (kg)	Water Consumption gal/hr	kWH Used per 100 lbs (45 kg) of ice @ 90°F (32°C) air/ 70°F (21°C) water	Amp Max @ (32°C) air/ (32°C) water	Voltage Characteristics
		70°F (21°C) air/ 50°F (10°C) water lbs (kg)	90°F (32°C) air/ 70°F (21°C) water lbs (kg)					
UCGO60A	Air	63 (28.5)	45 (20.5)	17.5 (8)	0.71	17.8	5.1	115/60/1

### NOTES:

Approx. Shipping Weight lbs (kg): 81.5 (37)

Refrigerant Type: R290A

All specifications and performance data are subject to normal manufacturing variances.

Ice-O-Matic reserves the right to change the specifications at any time without obligation. Certifications may vary depending on country of origin.