



# **INSTALLATION & OPERATION MANUAL CHEESEMELTER**



VICM36

## **MODELS**

VICM24  
VICM36  
VICM48  
VICM60  
VICM72

WICM24  
WICM36  
WICM48  
WICM60  
WICM72

For additional information on Vulcan or to locate an authorized parts and service provider in your area, visit our website at [www.vulcanequipment.com](http://www.vulcanequipment.com)

## **IMPORTANT FOR YOUR SAFETY**

THIS MANUAL HAS BEEN PREPARED FOR PERSONNEL QUALIFIED TO INSTALL GAS EQUIPMENT, WHO SHOULD PERFORM THE INITIAL FIELD START-UP AND ADJUSTMENTS OF THE EQUIPMENT COVERED BY THIS MANUAL.

POST IN A PROMINENT LOCATION THE INSTRUCTIONS TO BE FOLLOWED IN THE EVENT THE SMELL OF GAS IS DETECTED. THIS INFORMATION CAN BE OBTAINED FROM THE LOCAL GAS SUPPLIER.

### **IMPORTANT**

**IN THE EVENT A GAS ODOR IS DETECTED, SHUT DOWN UNITS AT MAIN SHUTOFF VALVE AND CONTACT THE LOCAL GAS COMPANY OR GAS SUPPLIER FOR SERVICE.**

### **FOR YOUR SAFETY**

**DO NOT STORE OR USE GASOLINE OR OTHER FLAMMABLE VAPORS OR LIQUIDS IN THE VICINITY OF THIS OR ANY OTHER APPLIANCE.**

### **WARNING**

**Improper installation, adjustment, alteration, service or maintenance can cause property damage, injury, or death. Read the installation, operating and maintenance instructions thoroughly before installing or servicing this equipment.**

**IN THE EVENT OF A POWER FAILURE, DO NOT ATTEMPT TO OPERATE THIS DEVICE.**

# INSTALLATION, OPERATION AND CARE OF CHEESEMELTERS

## GENERAL

Cheesemelters are produced with quality workmanship and material. Proper installation, usage and maintenance of your Cheesemelter will result in years of satisfactory performance.

Model	# of Burners	BTU/hr Input Rating
VICM24-L / WICM24-L	1	18,000
VICM36-L / WICM36-L	1	24,000
VICM48-L / WICM48-L	2	36,000 (2 @ 18,000)
VICM60-L / WICM60-L	2	42,000 (1 @ 18,000 + 1 @ 24,000)
VICM72-L / WICM72-L	2	48,000 (2 @ 24,000)
VICM24 / WICM24	1	20,000
VICM36 / WICM36	1	30,000
VICM48 / WICM48	2	40,000 (2 @ 20,000)
VICM60 / WICM60	2	50,000 (1 @ 20,000 + 1 @ 30,000)
VICM72 / WICM72	2	60,000 (2 @ 30,000)

## INSTALLATION

Before installing, verify that the type of gas (natural or propane) and the clearance dimensions (see page 4) agree with the specifications on the rating plate. If the supply and equipment requirements do not agree, do not proceed with the installation. Contact your dealer immediately. It is recommended that a trained gas service technician with the necessary tools, instruments and skills perform the installation of the cheesemelter.

### UNPACKING

This cheesemelter was inspected before leaving the factory. The carrier assumes full responsibility for the safe delivery upon acceptance of the shipment. Check for possible shipping damage immediately after receipt.

If the cheesemelter is found to be damaged, complete the following steps:

1. Carrier must be notified within 5 business days of receipt.
2. Carrier's local terminal must be notified immediately upon discovery (note time, date, and who was spoken to), and follow up and confirm with written or electronic communication.
3. All original packing materials must be kept for inspection purposes.
4. The cheesemelter cannot have been moved, installed, or modified.
5. Notify Vulcan Customer Service immediately at 800-814-2028.

Before using, remove all packaging material and protective plastic from the surfaces of the unit. Carefully unpack your cheesemelter and make sure that no parts are discarded with the packaging material. A pressure regulator designed to operate with the cheesemelter has been supplied and must be installed before the cheesemelter is placed into service. (Refer to GAS PRESSURE REGULATOR INSTALLATION in this manual).

## LOCATION

The equipment area must be kept free and clear of combustible substances.

	Minimum Clearances	
	Combustible Construction	Non-Combustible Construction
Back	2"	0"
Sides	20"	0
Bottom	10"	4"

The installation location must allow adequate clearances for servicing and proper operation. While another gas-fired cheesemelter can be placed adjacent to this Cheesemelter, there must be no obstruction to the front of the Cheesemelter. A minimum front clearance of 36" (91 cm) is required.

It is recommended that the cheesemelter not be installed directly over or directly adjacent to charbroilers, griddles or fryer banks. Infrared burners can be susceptible to the effects of grease laden smoke and installation in these locations may shorten burner life. The cheesemelter must be installed so that it is level side to side and front to back.

Do not obstruct the flow of combustion and ventilation air. Adequate clearance for air openings into the combustion chamber must be provided. Make sure there is an adequate supply of air in the room to replace air taken out by the ventilating system.

Do not permit fans to blow directly at the Cheesemelter. Avoid wall-type fans which create air cross currents within the room. Avoid open windows next to the Cheesemelter. Maintain a minimum 18" (46 cm) clearance from the top of the cheesemelter flue vent to the filters of the hood venting system or any other obstruction. Maintain a minimum 18" (46 cm) clearance from the bottom of the cheesemelter to any other flue discharge area.

## INSTALLATION CODES AND STANDARDS

**The Cheesemelter must be installed in accordance with:**

In the United States of America:

1. State and local codes.
2. National Fuel Gas Code, ANSI-Z223.1/NFPA #54 (latest edition). This shall include but not be limited to: NFPA #54 Section 10.3.5.2 for Venting. Copies may be obtained from The American Gas Association Accredited Standards Committee Z223, @ 400 N. Capital St. NW, Washington, DC 20001 or the Secretary Standards Council, NFPA, 1 Batterymarch Park Quincy, MA 02169-7471

**NOTE: In the Commonwealth of Massachusetts**

All gas appliances vented through a ventilation hood or exhaust system equipped with a damper or with a power means of exhaust shall comply with 248 CMR.

3. NFPA Standard # 96 *Vapor Removal from Cooking Equipment*, latest edition, available from the National Fire Protection Association, Batterymarch Park, Quincy, MA 02269.

In Canada:

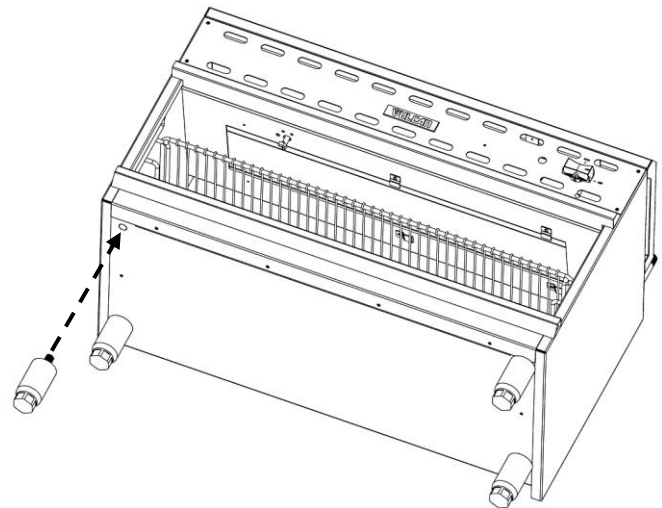
1. Local codes.
2. CAN/CSA-B149.1 Natural Gas Installation (latest edition)
3. CAN/CSA-B149.2 Propane Installation Code (latest edition), available from the Canadian Gas Association, 178 Rexdale Blvd., Etobicoke, Ontario, Canada M9W 1R3

**⚠ WARNING** The cheesemelter and its parts are hot. Use care when operating, cleaning or servicing the cheesemelter.

**ASSEMBLY**

**Counter Mounting**

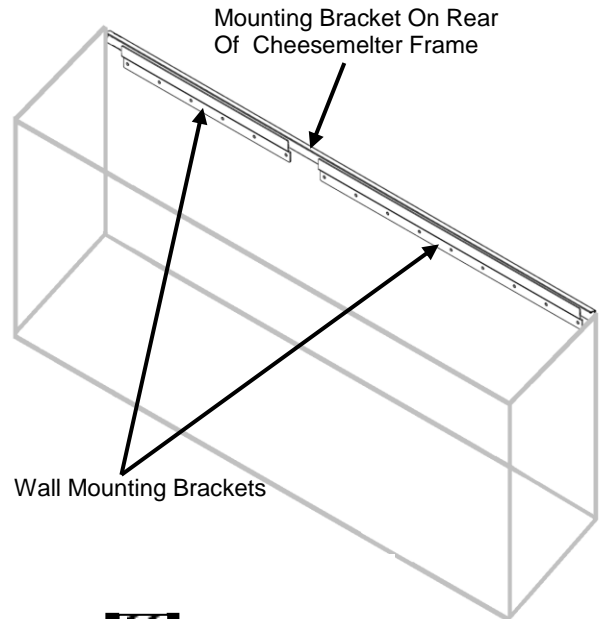
1. Cheesemelters mounted on a counter must be equipped with 4" (10 cm) legs (sold separately).
2. Remove the leg knockouts on the bottom of the unit to expose the threaded attachment points. 60 and 72 models will require 6 legs.
3. Screw the legs into the threaded attachment points on the bottom of the unit.
4. Place Cheesemelter in position, then level by adjusting the bullet feet.



**⚠ WARNING** Ensure the counter is of noncombustible construction.

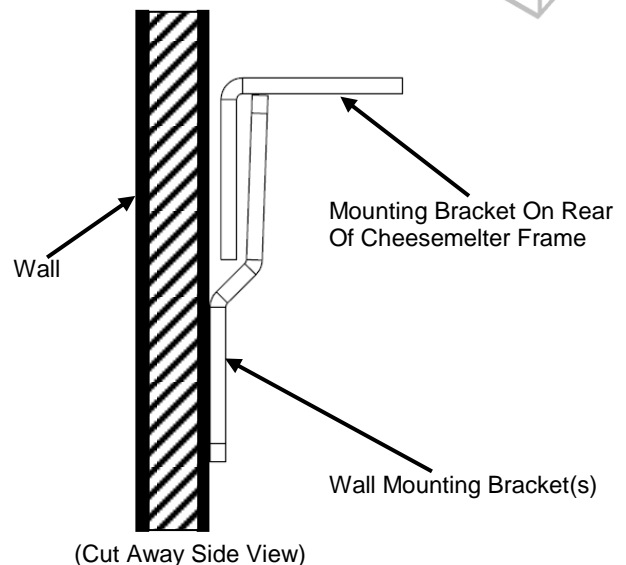
**Wall Mounting**

1. Make sure the wall bracket(s) are level and properly spaced on the wall so that they will align with the mounting bracket on the rear of the cheesemelter frame.
2. Attach the wall mount bracket(s) to the wall with suitable fasteners (not supplied) to match the onsite construction. 48, 60 and 72 models will have two wall mount brackets.
3. Hang the cheesemelter from its built-in mounting bracket onto the wall mounting brackets.



**⚠ WARNING** Ensure the mounting wall is of noncombustible construction and will support the weight of the cheesemelter.

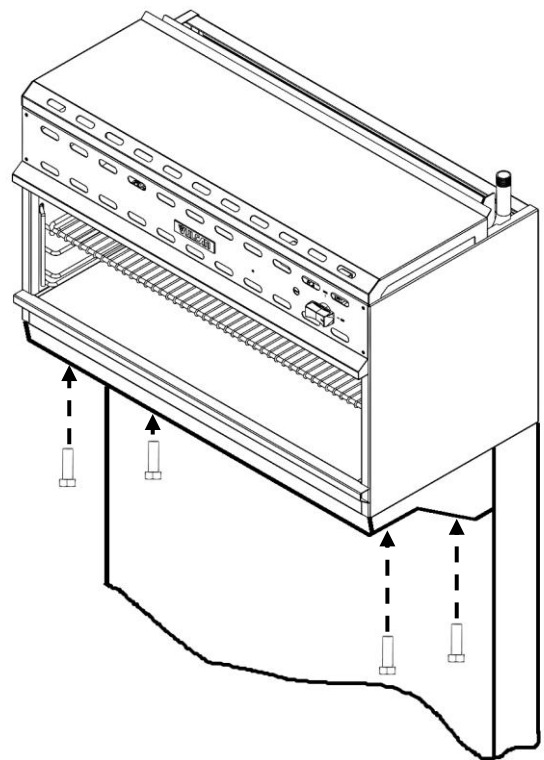
Model	Weight
VICM24 / WICM24	130 lbs/59 kg
VICM36 / WICM36	160 lbs/73 kg
VICM48 / WICM48	200 lbs/91 kg
VICM60 / WICM60	225 lbs/102 kg
VICM72 / WICM72	260 lbs/118 kg



## Special Hi-Shelf Mounting

If the Cheesemelter is to be mounted over a Gas Range, a reinforced hi-shelf designed to support the weight of the cheesemelter is required.

1. Remove the knockouts on the bottom of the unit to expose the threaded attachment points.
2. Place and align Cheesemelter on top of shelf brackets; place the back of the unit flush with the rear of the shelf.
3. Align holes in the shelf (may be necessary to drill holes) with the threaded attachment points on the bottom of the cheesemelter.
4. Secure cheesemelter into place with four 3/8"-16 bolts (not included). Thread the bolts through the shelf and into the threaded attachment points on the bottom of the cheesemelter.



## GAS CONNECTIONS

**⚠ WARNING** Gas supply connections and any pipe joint compound must be resistant to the action of propane gases.

Location of the gas inlet is at the top right rear corner of the top panel. Codes require that a gas shutoff valve must be installed in the gas line ahead of the Cheesemelter.

Use a 3/4" NPT gas supply line for the cheesemelter inlet. All flexible and semi-rigid gas supply lines must comply with the applicable ANSI standard. To ensure maximum operating efficiency this appliance must be connected with a gas supply line of solid pipe or a commercial type Flexible Connector with the net inside diameter (I.D.) as large as or larger than the gas pipe inlet on this appliance.

**⚠ WARNING** Prior to lighting, check all joints in the gas supply line for leaks. Use soap and water solution. Do not use an open flame.

After checking for leaks all lines receiving gas should be fully purged to remove air.

Maximum line pressure for natural and propane gas is 14" W.C. Minimum line pressure is 7" W.C. for natural gas and 11" W.C. for propane gas.

## TESTING THE GAS SUPPLY SYSTEM

When gas supply pressure exceeds ½ psig (3.45 kPa), the Cheesemelter and its individual shutoff valve must be disconnected from the gas supply piping system. When gas supply pressure is ½ psig (3.45 kPa) or less, the Cheesemelter should be isolated from the gas supply system by closing its individual manual shutoff valve.

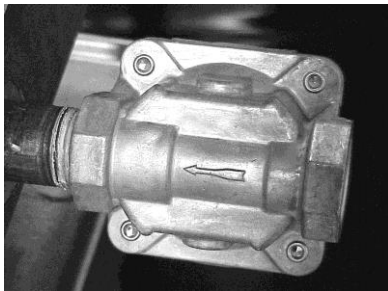
## FLUE CONNECTIONS

Do not obstruct flow of flue gases from the flue located on the rear of the Cheesemelter. It is recommended that the flue gases be ventilated to the outside of the building through a ventilation system installed by qualified personnel. Information on the construction and installation of ventilating hoods may be obtained from the standard for "Vapor Removal from Cooking Equipment," NFPA No. 96 (latest edition), available from The National Fire Protection Association, Batterymarch Park, Quincy, MA 02269.

## GAS PRESSURE REGULATOR INSTALLATION

Gas regulator pressure is preset at 5" Water Column (W.C.) for natural gas, and 10" W.C. for propane gas. Minor adjustments may be required based on site specific gas pressure.

Install the regulator as close to the cheesemelter on the gas supply line as possible. Make sure that the arrow on the underside of the regulator is oriented in the direction of gas flow to the cheesemelter (Fig. 2) and the regulator is positioned with the vent plug and adjustment screw upright (Fig. 3).



**Fig. 2**



**Fig. 3**

The minimum supply pressure (upstream of the regulator) should be 7-9" W.C. for natural gas and 11-12" W.C. for propane gas. At no time should the cheesemelter be connected to supply pressure greater than ½ psig (3.45 kPa) or 14" W.C.

**⚠ WARNING** Gas supply connections and any pipe joint compound must be resistant to the action of propane gases.

**⚠ WARNING** Prior to lighting, check all joints in the gas supply line for leaks. Use soap and water solution. Do not use an open flame.

# OPERATION

**⚠ WARNING** The cheesemelter and its parts are hot. Use care when operating, cleaning or servicing the cheesemelter.

## LOADING AND UNLOADING

Place the rack in the desired position. Pull the rack out for loading and avoid spillage. Push the rack into place and cook for the appropriate time. Pull the rack out for unloading.

## PREHEATING

After lighting the pilot, turn the burner valve knob completely counterclockwise (to the MAX position) and preheat for 15 minutes.

## RECIPE AND RACK ADJUSTMENT

Positioning the Cheesemelter rack is an important factor in the desired product end results. Position the rack farther away from the burners for thick casseroles and for melting cheese or butter to avoid drying the product. Position the rack closer to the burners for bacon, toast and quick heating, but watch carefully to avoid burning.

## CLEANING

**⚠ WARNING** The cheesemelter and its parts are hot. Use care when operating, cleaning or servicing the cheesemelter.

### Interior

When the Cheesemelter is cool, remove rack. Clean the rack and crumb tray daily by soaking in warm detergent water. Scrub with a stiff-bristled brush. Do not use harsh abrasives.

After scrubbing, wash with soapy water, rinse and dry. Rinse with wet towel, do not spray unit with a water jet. Soap and water will normally do the job. Heavy spattering or spillovers may require cleaning with mild cleaner or soapy wet pads.

### Exterior

When the Cheesemelter is cool, knobs and stainless steel surfaces may be cleaned with mild soap and water applied with a damp cloth. Wipe the surface with clean water and dry with a soft clean cloth. Do not use abrasive cleaners or strong liquid cleaners on stainless steel surfaces as they may damage the finish.

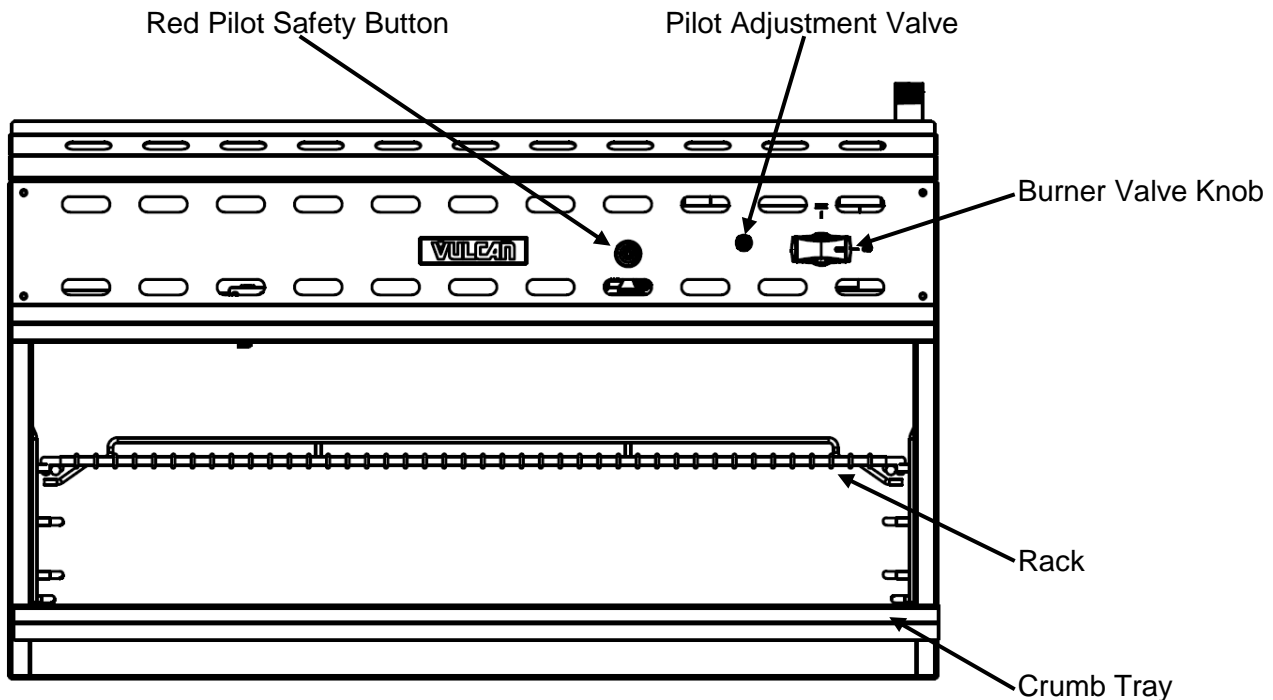


## Spray-On Cleaners

Be careful when using spray-on cleaners. Some cleaners may contain caustics. Please follow cleaner manufacturer's instructions.

## CONTROLS

**⚠ WARNING** The cheesemelter and its parts are hot. Use care when operating, cleaning or servicing the cheesemelter.



### Red Pilot Safety Button (Safety Equipped Units Only)

This will only be on specially designated units with a pilot safety system. The button will be depressed during the pilot lighting procedure. See page 10.

### Burner Valve

Each burner is independently controlled by an infinite control burner valve. Once the pilots are lit, turning the burner valves to the MAX position (completely counter clockwise) will light each burner. The burner valves regulate the flow of gas to the burners. Gas flow is increased by turning the valve counterclockwise.

### Pilot Adjustment Valve

The pilot adjustment valve regulates the flow of gas to the pilot burner. Using a flathead screwdriver, turn the slotted screw clockwise to decrease the flame, and counter clockwise to increase the flame.

## Rack

There are three rack positions. Place the shelf on the rack needed for Cheesemelting. For deeper, longer heat, use lower positions. For thinner foods, or faster cooking, use top shelves.

## Crumb Tray

The crumb tray collects crumbs and waste. Do not allow the crumb tray to overflow. Empty the crumb tray when three-quarters full to reduce the possibility of spillage.

## SHUTDOWN

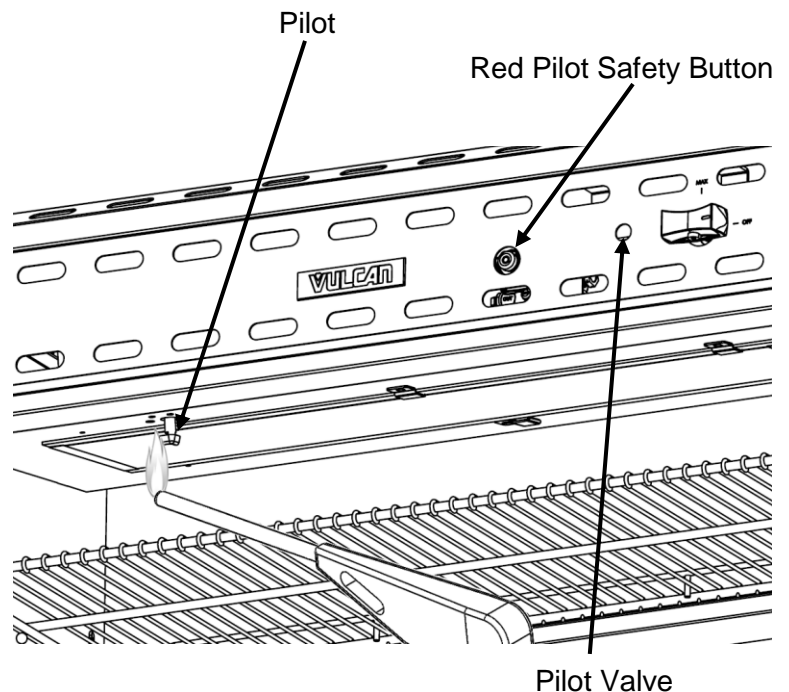
1. Turn the burner valve knobs completely clockwise (to OFF position) to cut off burners.
2. The pilots will remain lit as long as the gas supply is on.

## EXTENDED SHUTDOWN

1. Turn the burner valve knobs completely clockwise (to OFF position) to cut off burners.
2. Turn the unit gas shutoff valve to the OFF position.

## LIGHTING THE PILOT

1. Turn all controls to the "OFF" position, wait 5 minutes.
2. Light pilot. If applicable: (Depress red button on safety valve and light pilot. Hold red button down for at least 30 seconds. When button is released, pilot should remain lit.)
3. Pilot flame may be adjusted with screw on pilot valve. There should be only a slight amount of yellow in properly adjusted pilot flame.
4. Adjust burner controls as necessary.
5. For complete shutdown, turn all control valves to "OFF".



# MAINTENANCE

**⚠ WARNING** The cheesemelter and its parts are hot. Use care when operating, cleaning or servicing the cheesemelter.

## LUBRICATION

All moving parts must be checked for wear and lubricated if necessary. Contact your local Service Contractor.

All valves and controls should be lubricated with a high-temperature grease by a trained service technician.

## FLUE

When the Cheesemelter is cool, check the flue and clear any obstructions. Never block flue or place anything on top of the cheesemelter.

## SERVICE AND PARTS INFORMATION

Contact your local Service Contractor for any repairs or adjustments needed on this equipment. For a complete listing of service and parts depots refer to [www.vulcanequipment.com](http://www.vulcanequipment.com). When calling for service, the following information should be available from the appliance identification plate: Model Number and Serial Number. The identification plate is located under the crumb tray on the right side.

# TROUBLESHOOTING

PROBLEM	POSSIBLE CAUSES
Burner not lighting	<ol style="list-style-type: none"> <li>1. Burner valve not set to "MAX" position</li> <li>2. Restriction in burner orifice. (Call for service)</li> <li>3. Burner clogged(Call for service)</li> <li>4. Check for clogged vent on regulator</li> <li>5. Low gas pressure (Call for service)</li> </ol>
Poor burner ignition or fluttering	<ol style="list-style-type: none"> <li>1. Insufficient gas input</li> <li>2. Cracked or loose ceramic in burner. (Call for service)</li> <li>3. Restriction in burner orifice. (Call for service)</li> <li>4. Pilot adjustment is incorrect</li> <li>5. Draft or air flow problem</li> <li>6. Improper ventilation or flue blocked</li> <li>7. Too high or too low gas pressure (Call for service)</li> </ol>
Dried-out products	<ol style="list-style-type: none"> <li>1. Melting time too long, or product too close to burners</li> <li>2. High gas pressure (Call for service)</li> </ol>
Pilot burner will not light	<ol style="list-style-type: none"> <li>1. Pilot flame too low</li> <li>2. Restriction in pilot orifice</li> <li>3. Pilot gas turned off at pilot. Adjust pilot to allow gas flow</li> <li>4. Problem with pilot safety valve (Call for service)</li> <li>5. Thermocouple not in pilot flame (Call for service)</li> <li>6. Gas supply not purged of air. Depress pilot safety button until air is purged</li> <li>7. Low gas pressure (Call for service)</li> </ol>
Pilot burner will not stay lit	<ol style="list-style-type: none"> <li>1. Obstructed or wrong size pilot orifice. (Call for service)</li> <li>2. Gas supply not purged of air. Depress pilot safety button until air is purged.</li> <li>3. Air blowing pilot out. (Call for service)</li> <li>4. Problem with pilot safety valve. (Call for service)</li> <li>5. Thermocouple not in flame. (Call for service)</li> <li>6. Low gas pressure. (Call for service)</li> </ol>

CAUSES POSSIBLES	PROBLÈME
<ol style="list-style-type: none"> <li>1. La soupape du brûleur n'est réglée à la position "MAX".</li> <li>2. Restriction dans l'orifice du brûleur. (Téléphoner pour obtenir du service)</li> <li>3. Brûleur obstrué (Téléphoner pour obtenir du service)</li> <li>4. Vérifier si l'évent du régulateur est bloqué.</li> <li>5. Basse pression du gaz (Téléphoner pour obtenir du service)</li> </ol>	<p>Le brûleur ne s'allume pas.</p>
<ol style="list-style-type: none"> <li>1. Entrée insuffisante de gaz</li> <li>2. Céramique fissurée ou lâche dans le brûleur. (Téléphoner pour obtenir du service)</li> <li>3. Restriction dans l'orifice du brûleur. (Téléphoner pour obtenir du service)</li> <li>4. L'ajustement de la flamme pilote est incorrect.</li> <li>5. Problème de tirage ou de circulation de l'air.</li> <li>6. Aération inappropriée ou registre bloqué</li> <li>7. Pression du gaz trop élevée ou trop basse (Téléphoner pour obtenir du service)</li> </ol>	<p>Mauvaise ignition ou instabilité du brûleur</p>
<ol style="list-style-type: none"> <li>1. Durée de fonte trop longue ou le produit est trop près des brûleurs.</li> <li>2. Pression élevée du gaz (Téléphoner pour obtenir du service)</li> </ol>	<p>Produits desséchés</p>
<ol style="list-style-type: none"> <li>1. La flamme pilote est trop basse.</li> <li>2. Restriction dans l'orifice du brûleur pilote.</li> <li>3. Le gaz du brûleur pilote est arrêté au niveau du brûleur pilote.</li> <li>4. Ajuster le brûleur pilote pour permettre la circulation du gaz.</li> <li>5. Problème de la soupape de sécurité de la flamme pilote (Téléphoner pour obtenir du service)</li> <li>6. Le thermocouple n'est pas dans la flamme pilote (Téléphoner pour obtenir du service)</li> <li>7. Basse pression du gaz (Téléphoner pour obtenir du service)</li> </ol>	<p>Le brûleur pilote ne s'allume pas.</p>
<ol style="list-style-type: none"> <li>1. L'orifice du brûleur pilote est obstrué ou de mauvaise dimension. (Téléphoner pour obtenir du service)</li> <li>2. L'air de l'alimentation du gaz n'est pas purgé. Appuyer sur le bouton de sécurité de la flamme pilote jusqu'à ce que l'air soit purgé.</li> <li>3. L'air éteint le brûleur pilote. (Téléphoner pour obtenir du service)</li> <li>4. Problème de soupape de sécurité de la flamme pilote. (Téléphoner pour obtenir du service)</li> <li>5. Le thermocouple n'est pas dans la flamme pilote. (Téléphoner pour obtenir du service)</li> <li>6. Basse pression du gaz. (Téléphoner pour obtenir du service)</li> </ol>	<p>Le brûleur pilote ne demeure pas allumé.</p>

## DÉPANNAGE

**▲ AVERTISSEMENT** Le four à gratiner et ses pièces sont chauds. Soyez prudent lors de l'utilisation, du nettoyage et de l'entretien du four à gratiner.

## ENTRETIEN

### LUBRIFICATION

Toutes les pièces mobiles doivent être vérifiées au niveau de l'usure et lubrifiées au besoin. Contactez votre agence de service local.

Toutes les soupapes et les commandes doivent être lubrifiées avec une graisse haute température par un technicien de service formé.

### REGISTRE

Lorsque le four à gratiner est refroidi, vérifiez le registre et enlevez toute obstruction. Ne bloquez jamais le registre ni ne placez aucun objet sur le dessus du four à gratiner.

### RENSEIGNEMENTS SUR LE SERVICE ET LES PIÈCES

Communiquez avec votre agence de service locale pour toute réparation ou ajustement requis sur cet équipement. Pour obtenir une liste complète de centre de service et de dépôt de pièces, consultez [www.vulcanequipment.com](http://www.vulcanequipment.com). Lors d'un appel pour obtenir un service, veuillez avoir les renseignements suivants habituellement inscrits sur la plaque signalétique de l'appareil : Numéro de modèle et numéro de série. La plaque signalétique est située sous le ramasse-miettes du côté droit.

## Grille

Trois positions de grille sont disponibles. Placez la tablette sur la grille requise pour gratter le fromage. Pour une chaleur plus intense et longue, utilisez les positions inférieures. Pour des aliments plus minces ou une cuisson plus rapide, utilisez les tablettes du haut.

## Ramasse-miettes

Le ramasse-miettes sert à recueillir les miettes et les déchets de cuisson. Ne permettez pas au ramasse-miettes de déborder. Videz le ramasse-miettes lorsqu'il est au trois quarts afin de réduire la possibilité de déversement.

## ARRÊT

1. Tournez les boutons de soupape de brûleur entièrement en sens horaire (à la position "OFF") pour éteindre les brûleurs.

2. Les flammes pilotes demeurent allumées tant que l'alimentation en gaz est activée.

## ARRÊT PROLONGÉ

1. Tournez les boutons de soupape de brûleur entièrement en sens horaire (à la position "OFF") pour éteindre les brûleurs.

2. Fermez le robinet d'arrêt de gaz à la position "OFF".

## ALLUMAGE DE LA FLAMME PILOTE

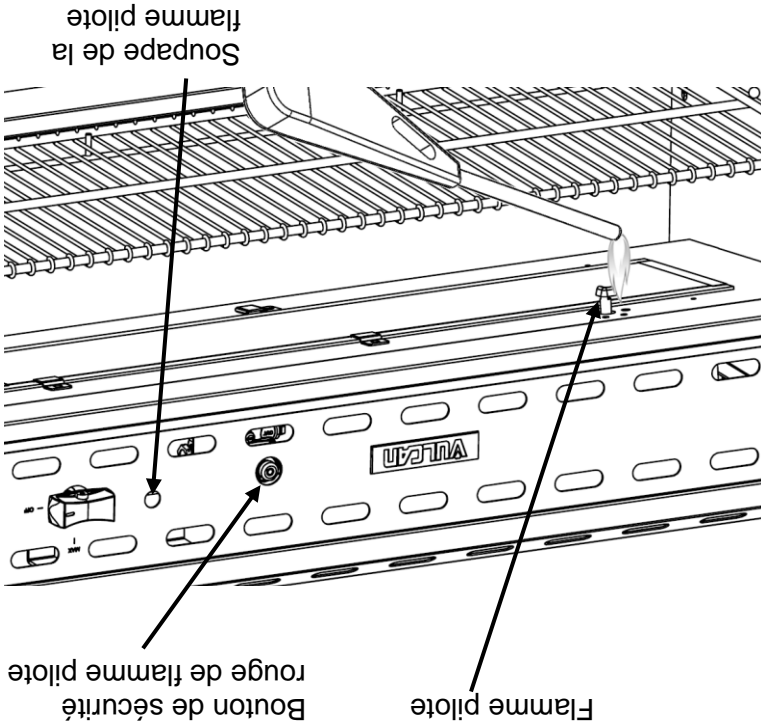
1. Placez toutes les commandes à la position "OFF" attendez 5 minutes.

2. Allumez la flamme pilote. Le cas échéant : (Appuyez sur le bouton rouge de la soupape de sécurité et allumez la flamme pilote. Maintenez le bouton rouge pendant 30 secondes. Lorsque vous relâchez le bouton, la flamme devrait demeurer allumée.)

3. La flamme pilote peut être ajustée par une vis située sur la soupape de la flamme pilote. Il ne devrait y avoir qu'une petite quantité de jaune dans une flamme pilote correctement ajustée.

4. Ajustez les commandes des brûleurs au besoin.

5. Pour un arrêt complet, tournez toutes les soupapes de commande à la position "OFF".



La soupape d'ajustement de la flamme pilote régularise la circulation du gaz vers le brûleur pilote. Utilisez un tournevis plat pour tourner la vis fendue en sens horaire afin de diminuer la flamme et en sens anti-horaire pour augmenter la flamme.

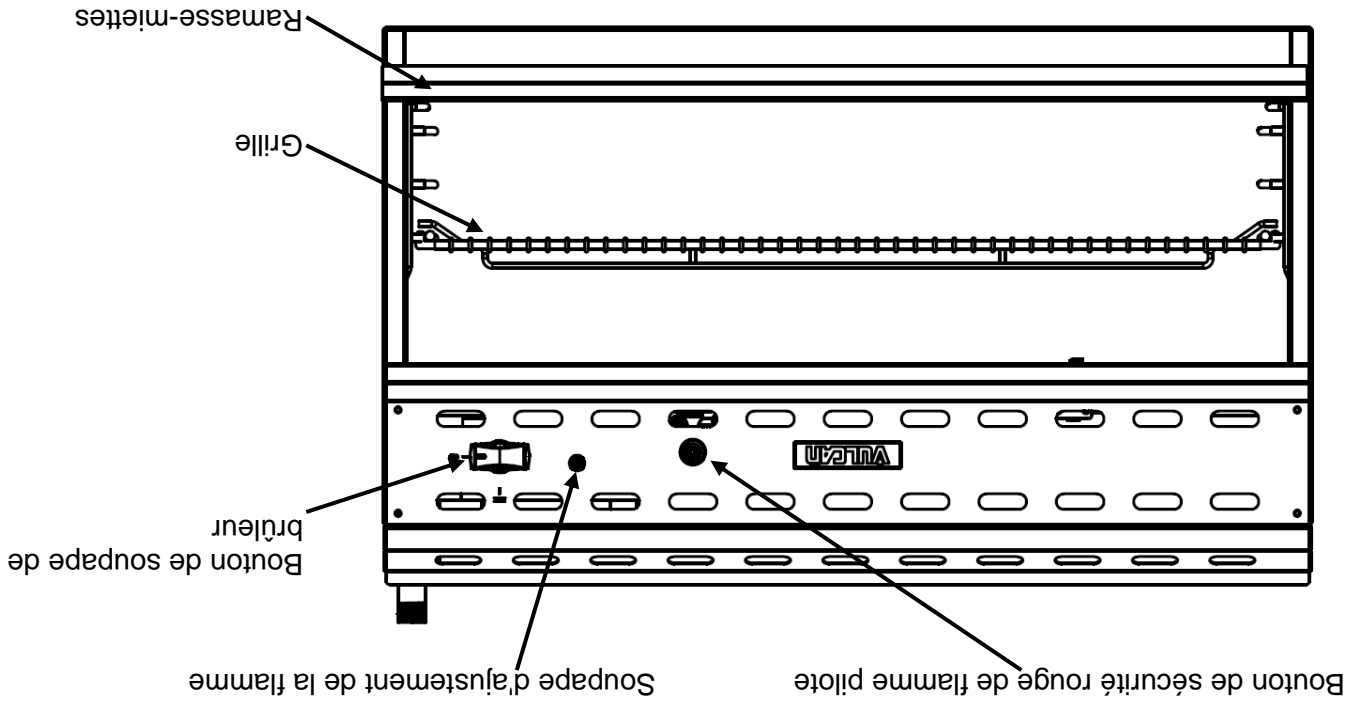
### Soupape d'ajustement de la flamme pilote

Chaque brûleur est commandé individuellement par une soupape de commande de brûleur. Lorsque les flammes pilotes sont allumées, il suffit de tourner les soupapes à la position MAX (entièrement en sens anti-horaire) pour allumer chaque brûleur. Les soupapes de brûleur régularisent la circulation du gaz vers les brûleurs. La circulation du gaz est augmentée en tournant les soupapes en sens anti-horaire.

### Soupape de brûleur

Cette caractéristique se trouve spécialement sur les appareils désignés avec un système de sécurité de flamme pilote. Le bouton sera activé lors de la procédure d'allumage de la flamme pilote. Consultez la page 10.

### Bouton de sécurité rouge de flamme pilote (uniquement pour les appareils munis de cette caractéristique de sécurité)



**AVERTISSEMENT** Le four à gratin et ses pièces sont chauds. Soyez prudent lors de l'utilisation, du nettoyage et de l'entretien du four à gratin.

### COMMANDES

Faites attention lors de l'utilisation de nettoyeurs en aérosol. Certains nettoyeurs peuvent contenir des agents caustiques. Veuillez vous conformer aux instructions du fabricant.

### Nettoyeurs en aérosol



Lorsque le four à grâliner est refroidi, les boutons et les surfaces en acier inoxydable peuvent être nettoyés à l'aide d'un linge légèrement mouillé d'une solution d'eau et de savon doux. Essayez la surface avec de l'eau propre et asséchez avec un linge doux. N'utilisez pas de nettoyeurs abrasifs ou des nettoyeurs forts en liquide sur les surfaces en acier inoxydable car ils risquent d'endommager le fini.

### Partie externe

Retirez la grille lorsque le four à grâliner est refroidi. Nettoyez la grille et le ramasse-miettes en les faisant tremper dans de l'eau chaude avec du détergent doux. Frottez à l'aide d'une brosse en poil dur. N'utilisez pas d'abrasifs forts. Après le frottage, nettoyez avec de l'eau savonneuse, rincez et asséchez. Rincez avec un linge humide, ne vaporisez pas l'appareil d'un jet d'eau. De l'eau et du savon sont habituellement suffisants pour le nettoyage. Les éclaboussures et les déversements importants peuvent exiger un nettoyage avec un nettoyeur doux ou des tampons humides avec savon.

### Partie interne

**Le four à grâliner et ses pièces sont chauds. Soyez prudent lors de l'utilisation, du nettoyage et de l'entretien du four à grâliner.**

**AVERTISSEMENT**

### NETTOYAGE

Le positionnement de la grille du four à grâliner est un facteur important dans les résultats désirés des produits. Placez la grille le plus loin que possible des brûleurs pour des casseroles épaisses et pour faire fondre du fromage ou du beurre afin d'éviter d'assécher le produit. Placez la grille le plus près que possible des brûleurs pour du bacon, des rôties et un chauffage rapide, mais surveillez attentivement la cuisson afin d'éviter de brûler les aliments.

### RECETTE ET AJUSTEMENT DE LA GRILLE

Après l'allumage du brûleur, tournez le bouton du brûleur entièrement en sens anti-horaire (à la position MAX) et faites préchauffer 15 minutes.

### PRÉCHAUFFAGE

Placez la grille à la position désirée. Retirez la grille pour le chargement afin d'éviter un déversement. Poussez la grille et faites cuire à la durée appropriée. Retirez la grille pour le déchargement.

### CHARGEMENT ET DÉCHARGEMENT

**Le four à grâliner et ses pièces sont chauds. Soyez prudent lors de l'utilisation, du nettoyage et de l'entretien du four à grâliner.**

**AVERTISSEMENT**

## UTILISATION

**AVERTISSEMENT** Avant l'allumage, vérifiez tous les raccords de la conduite d'alimentation de gaz pour vous assurer qu'il n'y a pas de fuite. N'utilisez pas de solution de savon et d'eau. N'utilisez pas une flamme nue.

**AVERTISSEMENT** Les connexions de l'alimentation du gaz et les pâtes à joints doivent être résistantes à l'action du gaz propane.

La pression d'alimentation minimale (en amont du régulateur) doit être de 7 à 9 po CE pour le gaz naturel et de 11 à 12 po CE pour le gaz propane. En aucun temps, le four à grâtiner ne doit être connecté à une pression d'alimentation supérieure à ½ psi manométrique (3,45 kPa) ou 14 po CE.

Fig. 2

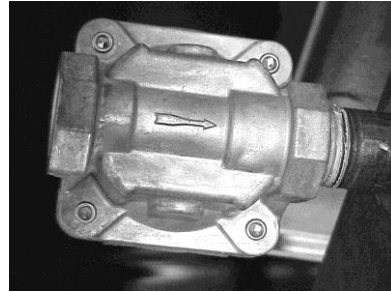
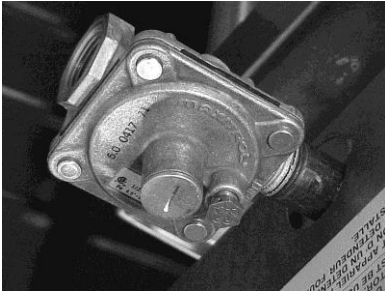


Fig. 3



La pression du régulateur de pression est réglée à 5 po CE pour le gaz naturel et à 10 po CE pour le gaz propane. Des ajustements mineurs peuvent être requis selon la pression de gaz spécifique du site.

Installez le régulateur sur la conduite d'alimentation de gaz aussi près que possible du four à grâtiner. Assurez-vous que la flèche sous le régulateur est orientée dans le sens de la circulation du gaz au four à grâtiner (Fig. 2) et que le régulateur est placé de sorte que la prise d'aération et que la vis de réglage soient vers le haut (Fig. 3).

## INSTALLATION DU RÉGULATEUR DE PRESSION DU GAZ

Ne pas obstruer la circulation des gaz de registre du registre situé à l'arrière du four à grâtiner. Nous recommandons que les gaz de registre soient évacués à l'extérieur de l'immeuble par un système de ventilation installé par du personnel qualifié. Les renseignements sur la construction et l'installation des hottes de ventilation peuvent être obtenus de la norme "Vapor Removal from Cooking Equipment" NFPA No. 96 (plus récente édition), disponible auprès de The National Fire Protection Association, Batterymarch Park, Quincy, MA 02269.

## BRANCHEMENTS DU REGISTRE

Lorsque la pression d'alimentation de gaz dépasse 1/2 psi manométrique (3,45 kPa), le four à grâtiner et son robinet d'arrêt individuel doivent être débranchés du système de conduite d'alimentation de gaz. Lorsque la pression d'alimentation de gaz est de 1/2 psi manométrique (3,45 kPa) ou moins, le four à grâtiner doit être isolé du système d'alimentation de gaz en fermant le robinet d'arrêt manuel individuel.

## TEST DU SYSTÈME D'ALIMENTATION DE GAZ

La pression de conduite maximale pour le gaz naturel est de 14 po CE. La pression de conduite minimale pour le gaz naturel est de 7 po CE et pour le gaz propane 11 po CE.

Après la vérification de fuite, toutes les conduites recevant du gaz doivent être purgées afin d'en retirer l'air.

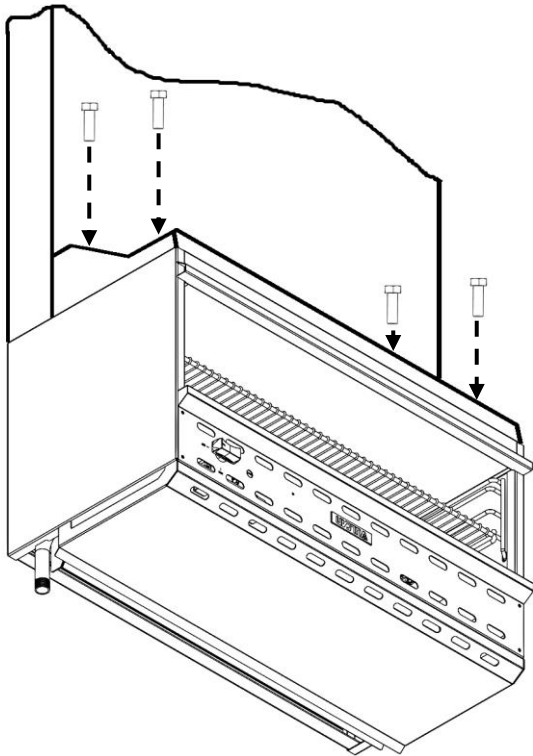
**AVERTISSEMENT** Avant l'allumage, vérifiez tous les raccords de la conduite d'alimentation de gaz pour vous assurer qu'il n'y a pas de fuite. N'utilisez pas de solution de savon et d'eau. N'utilisez pas une flamme nue.

Utilisez une conduite de gaz de 3/4 po NPT pour l'admission du four à grâtiner. Toutes les conduites d'alimentation de gaz flexibles et semi-rigides doivent être conformes à la norme ANSI applicable. Pour s'assurer d'une efficacité maximale de fonctionnement, cet appareil doit être connecté à une conduite d'alimentation de gaz faite de tuyau rigide ou d'un connecteur flexible de type commercial d'un diamètre interne net aussi grand ou plus grand que l'entrée de conduite de cet appareil.

L'emplacement de l'admission de gaz se trouve dans le coin supérieur droit du panneau supérieur. Les codes exigent qu'un robinet d'arrêt soit installé dans la conduite de gaz à l'avant du four à grâtiner.

**AVERTISSEMENT** Les connexions de l'alimentation du gaz et les pâtes à joints doivent être résistantes à l'action du gaz propane.

## BRANCHEMENTS DU GAZ



1. Retirez les entrées défonçables au bas de l'appareil afin d'exposer les points de fixation filetés.
  2. Placez et alignez le four à grâtiner sur le dessus des supports de la tablette; placez l'arrière de l'appareil à égalité à l'arrière de l'étagère.
  3. Alignez les trous de l'étagère (il peut être nécessaire de percer des trous) aux points de fixation filetés au bas du four à grâtiner.
  4. Fixez le four à grâtiner à l'aide de quatre boulons 3/8 po-16 (non fournis). Insérez les boulons dans l'étagère puis dans les points de fixation filetés au bas du four à grâtiner.
- Si le four à grâtiner est monté au-dessus d'un poêle à gaz, une étagère élevée renforcée pour recevoir le poids du four à grâtiner est requise.

**Installation spéciale sur étagère élevée**

**AVERTISSEMENT** Le four à grâliner et ses pièces sont chauds. Soyez prudent lors de l'utilisation, du nettoyage et de l'entretien du four à grâliner.

## MONTAGE

### Installation sur comptoir

1. Les fours à grâliner installés sur un comptoir doivent être dotés de pattes de 4 po (10 cm) (vendues séparément).

2. Retirez les entrées défonçables des pattes au bas de l'appareil afin d'exposer les points de fixation filetés. Les modèles 60 et 72 nécessitent 6 pattes.

3. Vissez les pattes dans les points de fixation filetés au bas de l'appareil.

4. Mettez le four à grâliner en place, puis nivelez en ajustant les pattes.

**AVERTISSEMENT** Assurez-vous que le comptoir est de fabrication non combustible.

### Installation murale

1. Assurez-vous que les supports muraux sont de niveau et correctement espacés sur le mur de sorte qu'ils seront alignés au support de montage à l'arrière du châssis du four à grâliner.

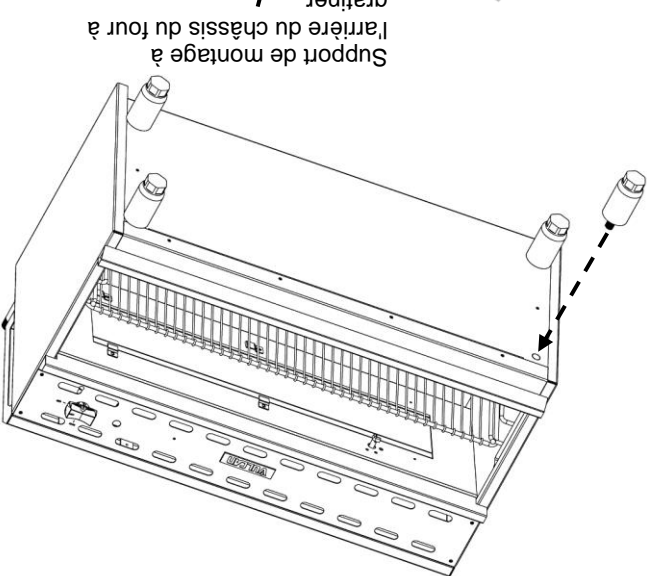
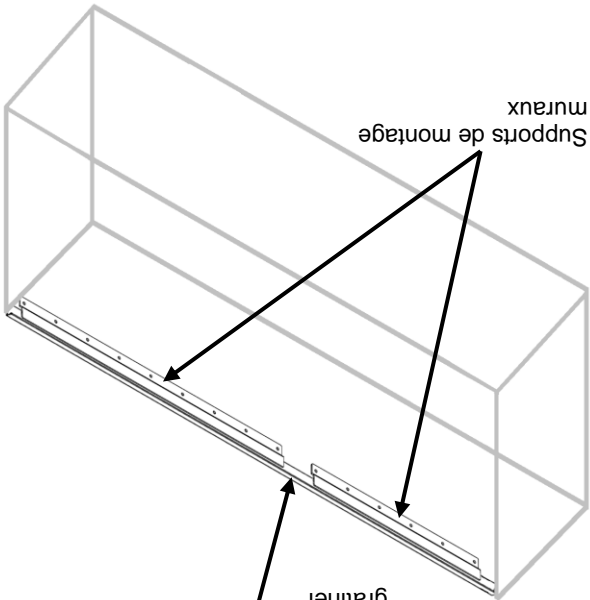
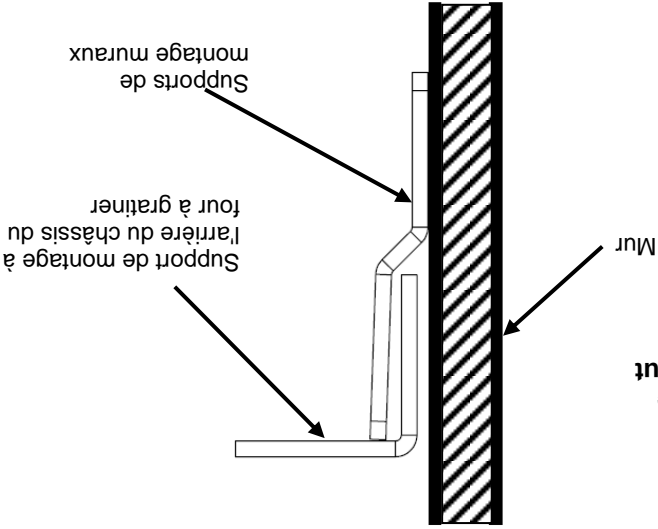
2. Fixez les supports muraux au mur à l'aide de dispositifs de fixation appropriés (non fournis) qui correspondent aux matériaux du site. Les modèles 48, 60 et 72 ont deux supports de montage muraux.

3. Accrochez le four à grâliner par son support de montage intégré aux supports de montage muraux.

**AVERTISSEMENT** Assurez-vous que le mur de montage est de fabrication non combustible et qu'il peut supporter le poids du four à grâliner.

Modèle	Poids
VICM24 / WICM24	130 lbs/59 kg
VICM36 / WICM36	160 lbs/73 kg
VICM48 / WICM48	200 lbs/91 kg
VICM60 / WICM60	225 lbs/102 kg
VICM72 / WICM72	260 lbs/118 kg

(Vue de côté en coupe frontale)



## EMPLACEMENT

La zone d'installation de l'équipement doit être gardée libre de substances combustibles.

Dégagements minimum		Construction combustible		Construction non combustible	
Arrière	2 po	0 po	0 po	0 po	4 po
Côtés	20 po	0 po	0 po	0 po	0 po
Bas	10 po	0 po	0 po	0 po	4 po

Bien La zone d'installation doit offrir les dégagements appropriés pour l'entretien et l'utilisation. Bien qu'un autre four à grâliner au gaz puisse être adjacent à ce four à grâliner, il ne doit pas y avoir d'obstruction à l'avant du four à grâliner. Un dégagement minimum à l'avant de 36 po (91 cm) est requis.

Nous recommandons que le four à grâliner soit installé directement au-dessus ou adjacent aux grilloirs type charbon de bois, aux plaques chauffage et aux bassins de friture. Les brûleurs infra-rouge peuvent être susceptibles aux effets de vapeur de bac dégraissant et l'installation à ces emplacements peut diminuer la durée de vie des brûleurs. Le four à grâliner doit être installé de sorte à être de niveau, côté à côté et de l'avant à l'arrière.

N'obstruez pas la circulation de l'air de combustion et d'aération. Un dégagement approprié des ouvertures d'air dans la chambre de combustion doit être fourni. Assurez-vous de l'alimentation appropriée en air dans la pièce pour remplacer l'air prélevé du système d'aération.

N'ayez jamais de ventilateurs souffler directement sur le four à grâliner. Évitez les ventilateurs muraux qui produisent des courants d'air croisés dans la pièce. Évitez d'ouvrir des fenêtres à proximité du four à grâliner. Gardez un dégagement minimum de 18 po (46 cm) à partir du dessus de l'évent de registre du four à grâliner vers les filtres du système de ventilation de hotte ou toute autre obstruction. Gardez un dégagement minimum de 18 po (46 cm) à partir du bas du four à grâliner vers toute zone d'échappement de registre.

## CODES ET STANDARDS D'INSTALLATION

**Le four à grâliner doit être installé conformément à :**

Aux Etats-Unis d'Amérique :

1. Codes d'Etat et locaux.

2. National Fuel Gas Code, ANSI-Z223.1/NFPA #54 (plus récente édition). Ceci doit inclure, mais sans s'y limiter: NFPA #54 Section 10.3.5.2 pour la ventilation. Des exemplaires sont disponibles auprès de The American Gas Association Accredited Standards Committee, Z223, @ 400 N. Capital St. NW, Washington, DC 20001 ou du Secretary Standards Council, NFPA, 1 Batterymarch Park Quincy, MA 02169-7471

## REMARQUE : Dans le Commonwealth du Massachusetts

Tous les appareils fonctionnant au gaz et ayant une hotte de ventilation ou un système d'échappement avec un registre ou des dispositifs motorisé d'échappement doivent être conformes à 248 CMR.

3. NFPA Standard # 96 *Vapor Removal from Cooking Equipment*, plus récente édition, disponible auprès de National Fire Protection Association, Batterymarch Park, Quincy, MA 02269. Au Canada :

1. Codes locaux.

2. CAN/CSA-B149.1 Installation du gaz naturel (plus récente édition)

3. CAN/CSA-B149.2 Code d'installation du gaz propane (plus récente édition), disponible auprès de l'Association Canadienne du Gaz 178 Rexdale Blvd., Etobicoke, Ontario, Canada

M9W 1R3

## INSTALLATION, UTILISATION ET ENTRETIEN DES FOURS À GRATINER

### GÉNÉRALITÉS

Les fours à grâliner sont fabriqués avec de la main-d'œuvre qualifiée et des matériaux de qualité. Une installation, une utilisation et un entretien appropriés de votre four à grâliner favoriseront des années de performance satisfaisante.

Modèle	No de brûleurs	Valeur nominale d'admission de BTU/h
VICM24-L / VICM24-L	1	18 000
VICM36-L / VICM36-L	1	24 000
VICM48-L / VICM48-L	2	36 000 (2 @ 18 000)
VICM60-L / VICM60-L	2	42 000 (1 @ 18 000 + 1 @ 24 000)
VICM72-L / VICM72-L	2	48 000 (2 @ 24 000)
VICM24 / VICM24	1	20 000
VICM36 / VICM36	1	30 000
VICM48 / VICM48	2	40 000 (2 @ 20 000)
VICM60 / VICM60	2	50 000 (1 @ 20 000 + 1 @ 30 000)
VICM72 / VICM72	2	60 000 (2 @ 30 000)

### INSTALLATION

Avant l'installation, vérifiez que le type de gaz (naturel ou propane) et que les dimensions de dégagement (consultez la page 4) sont conformes aux spécifications inscrites sur la plaque signalétique. N'effectuez pas l'installation si les exigences d'alimentation en électricité et de l'équipement ne sont pas satisfaites. Communiquez immédiatement avec le concessionnaire. Nous recommandons qu'un technicien d'installations au gaz ayant reçu la formation requise et possédant les outils, les instruments et les compétences nécessaires effectue l'installation du four à grâliner.

### DÉBALLAGE

Les fours à grâliner a été inspecté avant de quitter l'usine. En acceptant sa livraison, le transporteur prend l'entière responsabilité de le livrer en toute sécurité. Immédiatement après la livraison, vérifiez s'il a effectivement subi des dommages pendant le transport.

S'il s'avère que le four à grâliner a été endommagé, veuillez suivre les procédures suivantes :

1. Le transporteur doit être averti dans les 5 jours ouvrables suivant la réception.
2. Les gens du terminus local du transporteur doivent être avisés immédiatement lors de la découverte des dommages (indiquez l'heure, la date et à qui vous avez parlé) et assurez le suivi en confirmant les faits par écrit ou par communication électronique.
3. Pour fins d'inspection, tout le matériel d'emballage original doit être conservé.
4. Le four à grâliner ne doit pas avoir été déplacé, installé ou modifié.
5. Avisez le Service à la clientèle de Vulcan immédiatement en faisant le (800) 814-2028.

Avant l'utilisation, retirez tous les matériaux d'emballage et les plastiques de protection des surfaces de l'appareil. Déballer soigneusement le four à grâliner et assurez-vous qu'aucune pièce ne soit jetée avec les matériaux d'emballage. Un régulateur de pression conçu pour une utilisation avec le four à grâliner est fourni et doit être installé avec d'utiliser le four à grâliner. (Consultez la partie INSTALLATION DU RÉGULATEUR DE PRESSION DU GAZ de ce manuel).

DANS UNE SITUATION DE PANNE ELECTRIQUE, NE PAS TENTER DE FAIRE FONCTIONNER CET APPAREIL.

**AVERTISSEMENT** Une installation, un ajustement, une modification, une réparation ou un entretien inapproprié peut entraîner des dommages, des blessures et la mort. Lisez attentivement les directives d'installation, d'utilisation et d'entretien avant d'installer ou de faire l'entretien de cet équipement.

NE PAS RANGER NI UTILISER DE GAZOLINE OU D'AUTRES VAPEURS OU LIQUIDES INFLAMMABLES DANS LES ENVIRONS DE CET APPAREIL OU DE TOUTE AUTRE APPAREIL.

## POUR VOTRE SÉCURITÉ

DANS LE CAS D'ODEUR DE GAZ, ARRÊTER L'APPAREIL PAR LA SOUPAPE PRINCIPALE ET COMMUNIQUEZ AVEC LA COMPAGNIE DE GAZ OU LE FOURNISSEUR DE GAZ POUR LA RÉPARATION DE L'APPAREIL.

## IMPORTANT

CE MANUEL A ÉTÉ PRÉPARÉ POUR DU PERSONNEL QUALIFIÉ DANS L'INSTALLATION D'ÉQUIPEMENT FONCTIONNANT AU GAZ QUI DEVAIT EFFECTUER LE DÉMARRAGE INITIAL SUR PLACE ET LES AJUSTEMENTS DE L'ÉQUIPEMENT FAISANT L'OBJET DE CE MANUEL.

CE MANUEL A ÉTÉ PRÉPARÉ POUR DU PERSONNEL QUALIFIÉ DANS L'INSTALLATION D'ÉQUIPEMENT FONCTIONNANT AU GAZ QUI DEVAIT EFFECTUER LE DÉMARRAGE INITIAL SUR PLACE ET LES AJUSTEMENTS DE L'ÉQUIPEMENT FAISANT L'OBJET DE CE MANUEL.

## RENSEIGNEMENTS DE SÉCURITÉ IMPORTANTS

CE MANUEL A ÉTÉ PRÉPARÉ POUR DU PERSONNEL QUALIFIÉ DANS L'INSTALLATION D'ÉQUIPEMENT FONCTIONNANT AU GAZ QUI DEVAIT EFFECTUER LE DÉMARRAGE INITIAL SUR PLACE ET LES AJUSTEMENTS DE L'ÉQUIPEMENT FAISANT L'OBJET DE CE MANUEL.

CE MANUEL A ÉTÉ PRÉPARÉ POUR DU PERSONNEL QUALIFIÉ DANS L'INSTALLATION D'ÉQUIPEMENT FONCTIONNANT AU GAZ QUI DEVAIT EFFECTUER LE DÉMARRAGE INITIAL SUR PLACE ET LES AJUSTEMENTS DE L'ÉQUIPEMENT FAISANT L'OBJET DE CE MANUEL.



# MANUEL D'INSTALLATION ET D'UTILISATION FOUR À GRATINER

## MODELES

- VICM24
- VICM36
- VICM48
- VICM60
- VICM72

- VICM24
- VICM36
- VICM48
- VICM60
- VICM72



VICM36

Pour obtenir des renseignements supplémentaires au sujet de Vulcan-Hart ou pour trouver un fournisseur de pièces et service autorisé dans votre région, veuillez visiter notre site web à [www.vulcanequipment.com](http://www.vulcanequipment.com)

CONSERVEZ CE MANUEL POUR UNE  
UTILISATION ULTÉRIEURE  
FORMULAIRE F-45396 (10-14)

©ITW Food Equipment Group, LLC  
3600 North Point Blvd.  
Baltimore, MD 21222