

## Under Counters

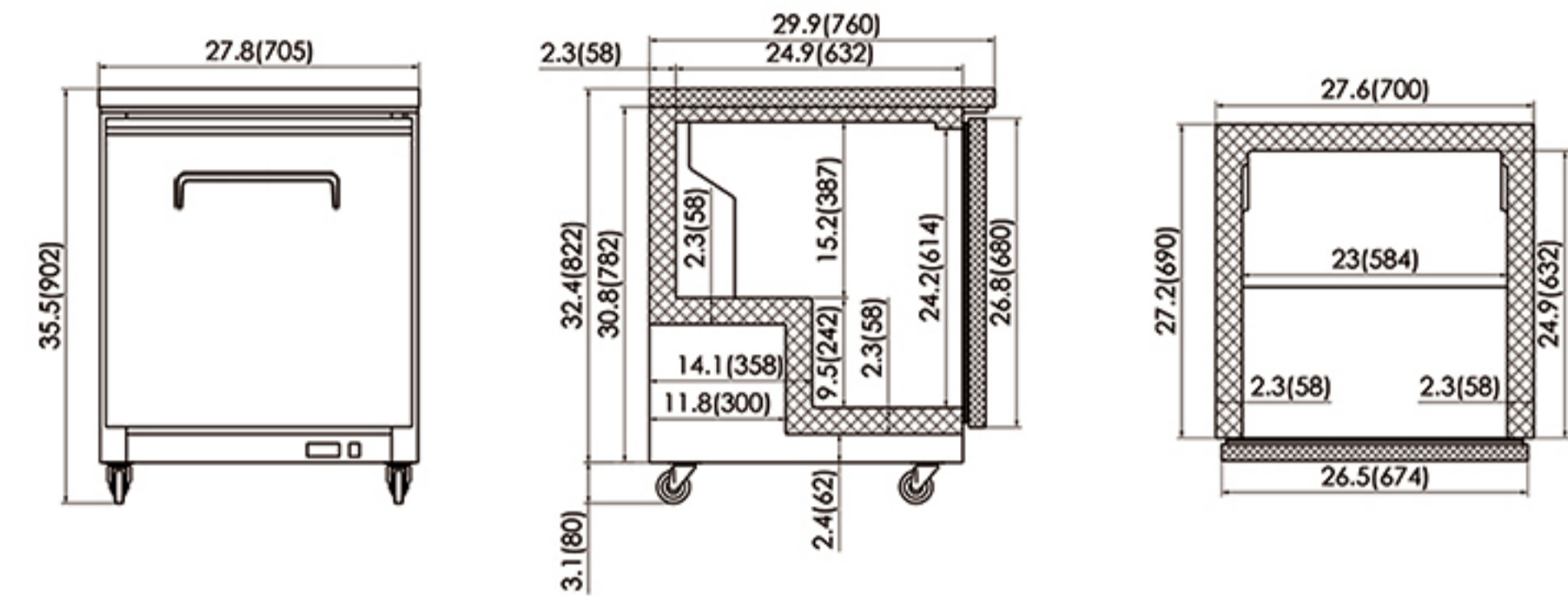
- HC refrigerent.
- CFC free refrigerant & form.
- Electronic thermostat, digital LED temperature display.
- Auto defrosting and auto evaporation of condensation water.
- Magnetic gaskets can be replaced very easy.



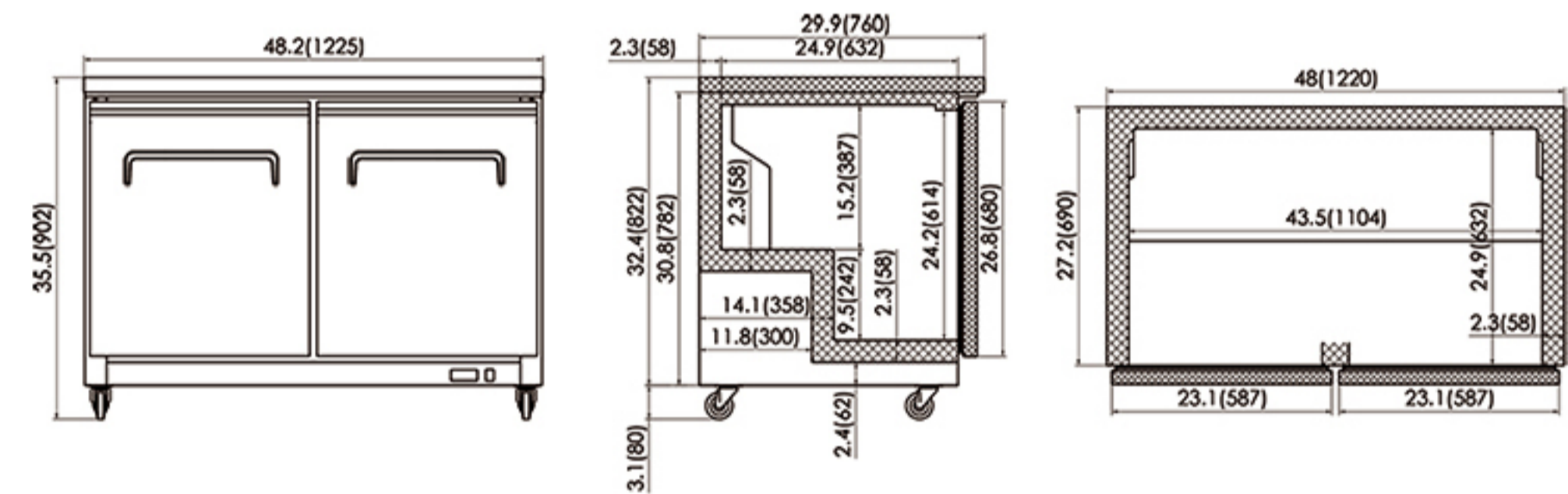
MODEL	EXTERNAL DIMENSION inch	V/Hz/Ph	AMPS	STORAGE CAPACITY Cu-ft	HP	TEMPERATURE	NEMA PLUG
CM-UC27R	27.8x29.9x35.5	115V/60Hz/1	1.5	6.5	3/8	33°F~41°F	5-15P
CM-UC27F	27.8x29.9x35.5	115V/60Hz/1	1.9	6.5	1/2	-10°F~+10°F	5-15P
CM-UC48R	48.2x29.9x35.5	115V/60Hz/1	3	12	3/8	33°F~41°F	5-15P
CM-UC48F	48.2x29.9x35.5	115V/60Hz/1	4	12	1/2	-10°F~+10°F	5-15P
CM-UC60R	61.2x29.9x35.5	115V/60Hz/1	3	15.5	3/8	33°F~41°F	5-15P
CM-UC60F	61.2x29.9x35.5	115V/60Hz/1	5	15.5	1/2	-10°F~+10°F	5-15P

Certified to ANSI/NSF Standard 7

• CM-UC27R/CM-UC27F



• CM-UC48R/CM-UC48F



• CM-UC60R/CM-UC60F

